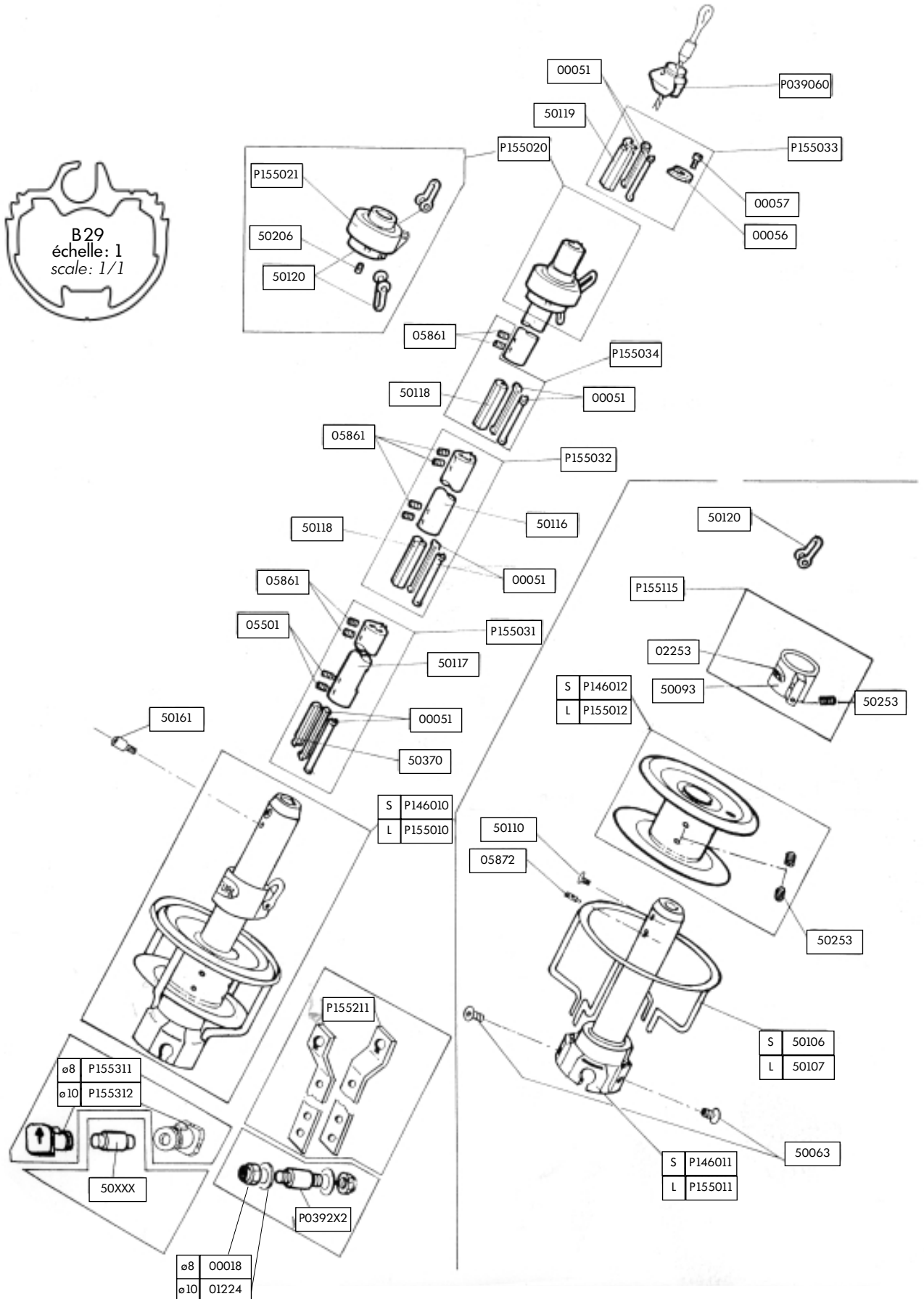


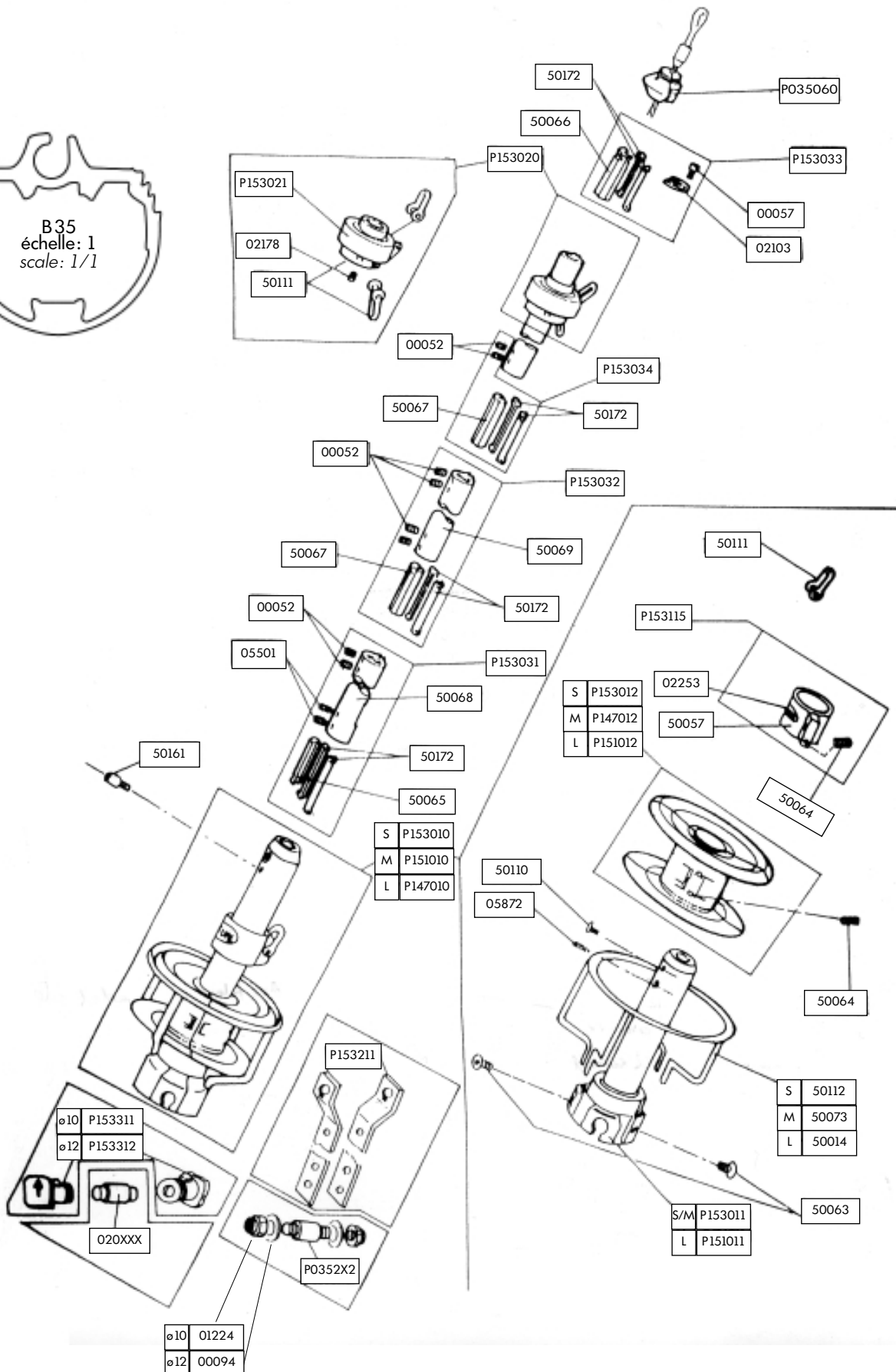
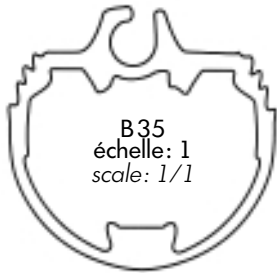
PIÈCES DÉTACHÉES B 29

SPARE PARTS B 29



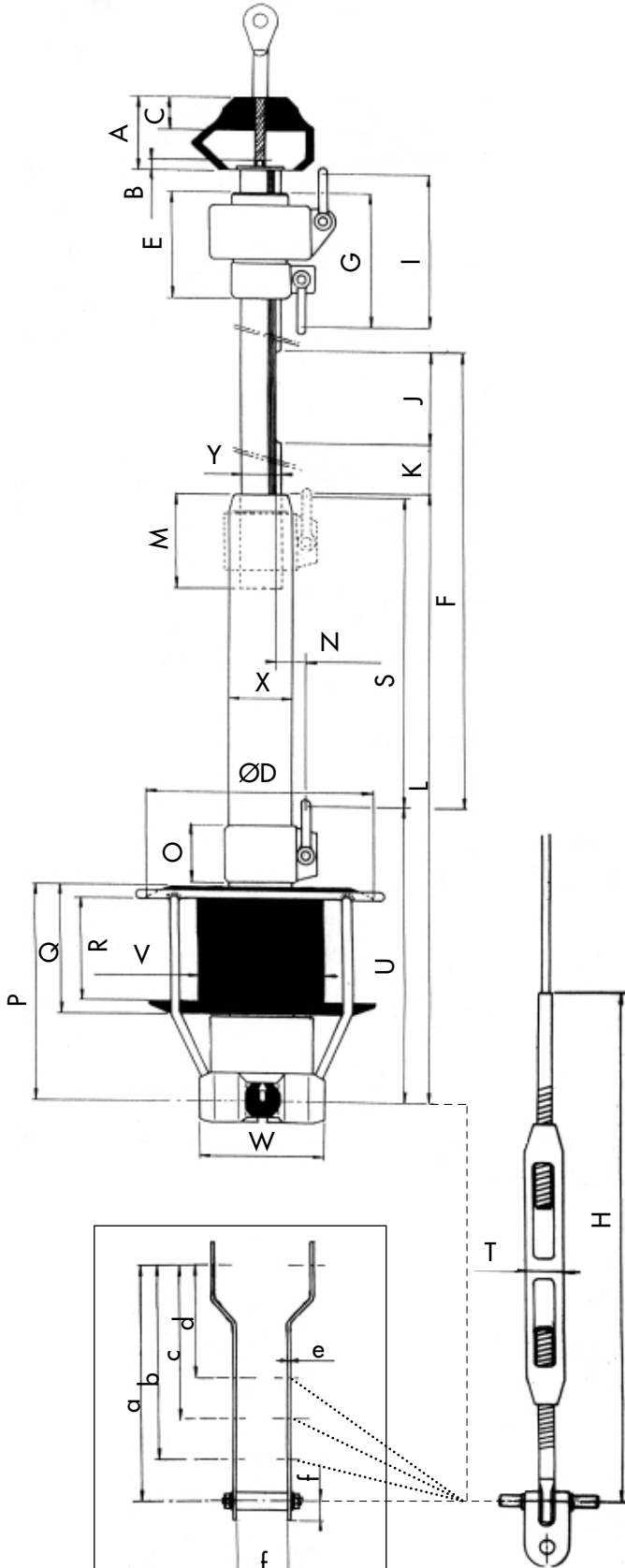
PIÈCES DÉTACHÉES B 35

SPARE PARTS B 35

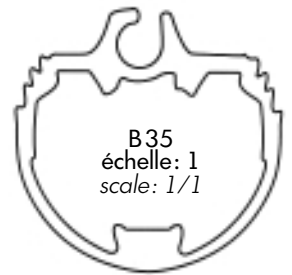
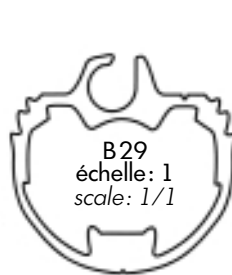


DIMENSIONS DES ENROULEURS PROFURL BASIC

DIMENSIONS OF PROFURL BASIC MODELS



	B 29 S		B 29 L		B 35 S		B 35 M		B 35 L	
	mm	ins	mm	ins	mm	ins	mm	ins	mm	ins
A	45	1 49/64"	45	1 49/64"	70	2 3/4"	70	2 3/4"	70	2 3/4"
B	10	25/64"	10	25/64"	10	25/64"	10	25/64"	10	25/64"
C	20	25/32"	20	25/32"	28	1 7/64"	28	1 7/64"	28	1 7/64"
D	120	4 47/64"	150	5 29/32"	170	6 11/16"	200	7 7/8"	220	8 43/64"
E	70	2 3/4"	70	2 3/4"	98	3 55/64"	98	3 55/64"	98	3 55/64"
F	365	1' 2 3/8"	475	1' 6 11/16"	680	2' 2 23/32"	680	2' 2 23/32"	760	2' 5 7/8"
G	90	3 35/64"	90	3 35/64"	128	5 3/64"	128	5 3/64"	128	5 3/64"
H max	320	1 19/32"	430	1' 4 15/16"	460	1' 6 3/32"	460	1' 6 3/32"	530	1' 8 7/8"
I	105	4 1/8"	105	4 1/8"	130	5 1/8"	130	5 1/8"	130	5 1/8"
J	100	3 15/16"	100	3 15/16"	150	5 29/32"	150	5 29/32"	150	5 29/32"
K	105	4 1/8"	105	4 1/8"	270	10 5/8"	270	10 5/8"	270	10 5/8"
L	400	1' 3 3/4"	510	1' 8 5/64"	540	1' 9 1/4"	540	1' 9 1/4"	610	2' 1/64"
M	75	2 61/64"	75	2 61/64"	80	3 5/32"	80	3 5/32"	80	3 5/32"
N	25	1"	25	1"	32	1 1/4"	32	1 1/4"	32	1 1/4"
O	45	1 49/64"	45	1 49/64"	50	1 31/32"	50	1 31/32"	50	1 31/32"
P	150	5 29/32"	150	5 29/32"	190	7 15/32"	190	7 15/32"	190	7 15/32"
Q	99	3 57/64"	99	3 57/64"	115	4 17/32"	115	4 17/32"	115	4 17/32"
R	80	3 5/32"	80	3 5/32"	95	3 3/4"	95	3 3/4"	95	3 3/4"
S	160	6 19/64"	255	10"	240	9 29/64"	240	9 29/64"	310	12 13/64"
T max	28	1 7/64"	28	1 7/64"	32	1 1/4"	32	1 1/4"	37	1 29/64"
U	210	8 17/64"	210	8 17/64"	265	10 7/16"	265	10 7/16"	265	10 7/16"
V	66	2 19/32"	66	2 19/32"	115	4 17/32"	115	4 17/32"	115	4 17/32"
W	97	3 13/16"	97	3 13/16"	115	4 17/32"	115	4 17/32"	115	4 17/32"
X	46	1 13/16"	46	1 13/16"	56	2 13/64"	56	2 13/64"	56	2 13/64"
Y	29	1 5/32"	29	1 5/32"	35	1 3/8"	35	1 3/8"	35	1 3/8"
a	175	6 57/64"	175	6 57/64"	203	7 63/64"	203	7 63/64"	203	7 63/64"
b	145	5 45/64"	145	5 45/64"	168	6 39/94"	168	6 39/94"	168	6 39/94"
c	115	4 17/32"	115	4 17/32"	133	5 15/64"	133	5 15/64"	133	5 15/64"
d	85	3 11/32"	85	3 11/32"	98	3 55/64"	98	3 55/64"	98	3 55/64"
e	4	5/32"	4	5/32"	4	5/32"	4	5/32"	4	5/32"
f	15	19/32"	15	19/32"	17	43/64"	17	43/64"	17	43/64"
g	35	13/8"	35	1 3/8"	45	1 25/32"	45	1 25/32"	45	1 25/32"



B29 & B35
Diamètre de la ralingue finie: 5 mm
Finished luff tape diameter: 5 mm (3/16")

www.profurl.com

WICHARD France

Hotline / Support technique / SAV
33 rue de l'Etoile du matin
44600 Saint Nazaire,
France
Tel +33 (0)2 51 76 00 35
Fax +33 (0)2 40 01 40 43
Email : hotline@wichard.com

WICHARD, Inc

148a Bryce Blvd
Fairfax - VT05454
USA
Tel : +1 401 683 5055
Fax :+1 802 655 4689
Free toll number: + 1 800 852-7084
Email : info@wichard-usa.com

WICHARD PACIFIC Pty Ltd

Unit 13, 2 Bishop Street
St Peters NSW 2044,
Australia
Tel : + 61 2 9516 0677
Fax : + 61 2 9516 0688
Freecall from Australia: 1800 639 767
Email : info@wichard.com.au