

COMFORT AND SAFETY  
 OPTIMISED DIMENSIONS  
 COST-EFFECTIVENESS  
 EASE OF INSTALLATION  
 MODERN DESIGN  
 FOR BOATS FROM 9 TO 18M




With these 2 new models, Profurl brings the motorised furling technology to medium sized boats starting from 9m.

Based on a multi-motorised power technology, the C450 and C550 models have been designed to provide:

- > A cost-effective furling system solution
- > Confort and safety during furling and unfurling operations.
- > The auto-locking mechanism prevents the sail from unfurling at inopportune times
- > Optimised dimensions for a better adaptation to the deck layout of the medium sized boats (anchor or mooring operations)
- > Capability to convert a manual furler into a motorised version.
- > Easy installation on the existing forestay
- > Turnbuckle adjustment by lifting the gear motor (thanks to the telescopic section)



 Capability to convert a Profurl manual furler into a motorized furler by keeping the extrusions. For other brands, contact us.

Model	Boat Length	Forestay Ø mm	Forestay Length m	Power	Circuit Breaker	Power Supply	Max Torque	Max Rotation Speed
NDE2 C450	From 9 to 12 m	8 / 10*	14,50 m / 16,50 m	400 W	40 A	12v	60 Nm	40 rpm
NDE2 C500	From 12 to 18 m	12 / 12.7	18,50 m / 20.50 m	800 W	80 A or 40 A	12v or 24v	80 Nm	55 rpm

Model	Link plates	Turnbuckle Cylinder	Emergency System	Relay box + Circuit breaker	Wired Remote Controller	Radio Remote Controller
NDE2 C450 / C500	Included				Option (part # 53320)	Option (part # 53310)

\*If using a swageless eye,

## OPTIONS

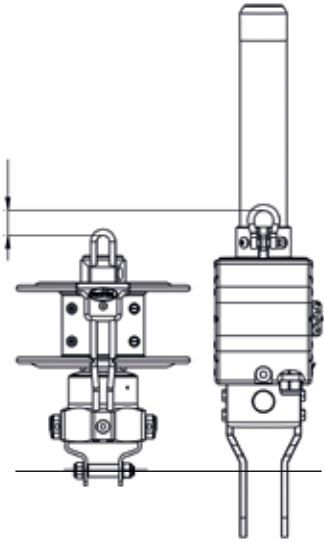


Wired remote controller:  
From 0.80 m to 3 m

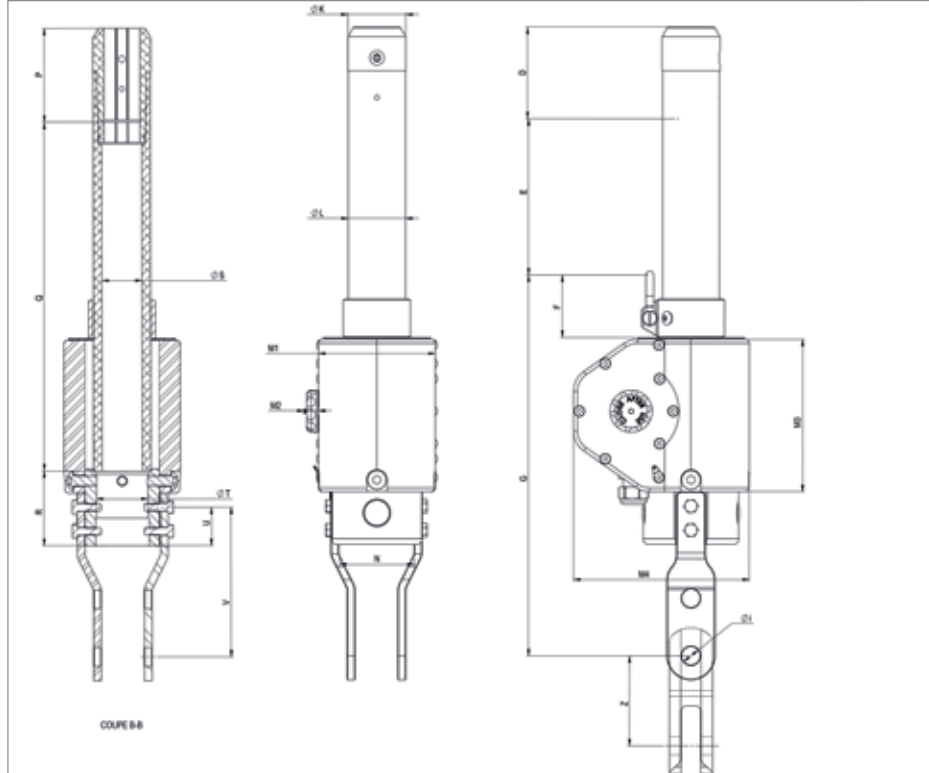


Radio remote controller

### C350 manual furler vs NDE2 C450



The new NDE2 models have been designed to offer optimised dimensions versus manual furlers



	C450	C500
∅ Forestay	8 / 10 mm	10 / 12 mm
B	53	53
C	174	226
D	96	103
E	163	249
F	65	77
G	397	433
M4	184	216
∅K	60	72
∅L	60	72
M1	122	146
M2	15	15
M3	159	185
N	78	100
P	96	103
Q	363	494
R	78	90
∅S	42	50
T	54	75
U	40	44
V	156	153
Weight	11.50 Kg	17 Kg

**WICHARD S.A.S**  
1, ZI de Felet - CS 50085  
63307 Thiers Cedex  
France  
Tel +33 (0)4 73 51 65 00  
Fax +33 (0)4 73 80 62 81  
E-mail : marine@wichard.com

**Hotline / After Sales service**  
Z.A Pornichet Atlantique  
16 av du Gulf Stream  
44380 Pornichet - France  
Tel +33 (0)2 51 76 00 35  
Fax +33 (0)2 40 01 40 43  
E-mail : hotline@wichard.com

**WICHARD, Inc.**  
**North America**  
3901 Pine Grove Circle  
Charlotte, NC 28206  
Tel: +1 (401) 683-5055  
Fax: +1 (802) 655-4689  
E-mail: info@wichard-usa.com

**WICHARD Pacific Pty Ltd**  
PO Box 104 St Peters NSW 2044  
Australia  
Phone: +61 2 9516 0677  
Fax: +61 2 9516 0688  
E-mail: info@wichard.com.au