



Profurl

NDE2 / NDH2 MOTORISED FURLERS

Comfort > Power > Reliability
For boats from 9 to 22 m

The new NDE2 motorised furlers from Profurl are the highlight of more than 30 years of experience in motorised sail furlers. These new models have been designed to give you enhanced comfort, performance and reliability every time you sail.

NDE2 / NDH2: Motorised furlers

All Profurl motorized furlers have been developed to bring you comfort, reliability & safety.

For the NDE2 C350, C420 and C430, Profurl has developed a new engine power system (multi-motor) that make furlers more economic and compact to gain space on the deck.

NDE2 C480, C520, C530 & C600 benefit from the NDE Profurl technology (mono motor) developed and experienced for more than 30 years. These furlers are specifically dedicated to boats from 14m.

Benefits of the motorised systems

- > Large range of systems.
- > Great comfort with minimum effort.
- > Easy installation on the existing forestay.
- > Minimal sound.
- > Low power consumption.
- > Capability to convert a manual furler into a motorized furler
- > Maintenance free
- > 2 or 3 year world wide limited warranty.



NDE2 C420

NDE2 C600

NDE2: ELECTRIC MODELS

	Multi-engine Technology			Mono-engine Technology			
	NDE2 C350	NDE2 C420	NDE2 C430	NDE2 C480	NDE2 C520	NDE2 C530	NDE2 C600
Boat length	from 11 to 13.50 m	from 13 to 15 m	from 14 to 16 m	from 14,5 to 18,5 m	from 16,5 to 18,5 m	from 18,5 to 22 m	+ 22 m
Forestay dia	8 / 10* mm	10 / 12.7* mm	12,7 mm	14,3 mm	16 / 19 * mm	19 mm	22* mm
Forestay length	14 m	16 m	18 m	18 m	20 m	22 m	24 m
Power	400 W	800 W		1000 W			
Circuit breaker / Power supply	40A / 12v	80A / 12V 40A / 24V		60A / 12V or 40A / 24V			
Max torque	60 Nm	80 Nm		130 Nm			
Max rotating speed	40 tr / min	55 tr / min		40 tr / min			
Warranty	2 year	2 year		3 year			

*: if using a swageless eye

ND2H: HYDRAULIC MODELS

- > 4 models available for boats from 14.50 to 22 m.
- > Available in "Cruising" version (with round extrusions).
- > Connection of the gear motor to the hydraulic pack with 2 feeding hoses finished by a female 7/16" JIC.
- > Turnbuckle cylinder included on all models
- > Length of the extrusion: 2 m.

NDH2: HYDRAULIC MODELS

	NDH2 C480	NDH2 C520	ND2H C 30	ND2H C600
Boat length	from 14,5 to 18,5 m	from 16,5 to 18,5 m	from 18,5 to 22 m	above 22 m
Forestay diameter	14,3 mm	16 mm	19* mm	22* mm
Forestay Length	18 m	20 m	22 m	24 m
Maximum operating pressure	140 bars			
Max torque	300 Nm			
Maximum speed of rotation	30 Rpm			
Maximum flow	15 L / mn			
Warranty	3 year			

*: if using a swageless eye



53320



53310

More comfort on board

- > Wired remote controller Part # 53320
- > Radio remote controller Part # 53310



NDE2 / NDH2: Motorised furlers

↓ TOTAL COMFORT AND TOTAL SECURITY

When you choose a Profurl motorised furler, comfort and ease of use come guaranteed, allowing you to get the most out of your sailing.

- > Navigation without any physical effort required through the command box (wired or remote-control options available)
- > The sail can be furled in either direction
- > Generates minimal noise
- > No specific upkeep required
- > The auto-locking mechanism prevents the sail from unfurling at inopportune times
- > The circuit breaker lets you cut supply in an emergency (jammed genoa sheet, incorrect manoeuvre, etc.)
- > In case of problem, the emergency system will let you furl or unfurl the sails manually

↓ PROVEN RELIABILITY

Our NDE2 / NDH2 furlers have been designed to offer unmatched reliability, whatever the sailing conditions:

- > 30 years of experience designing gearmotor reducers
- > The structure and the design of our NDE2 / NDH2 reducers is based on more than 20 years of developing NDE systems
- > The use of high-quality materials ensures enhanced durability and longevity
- > Carefully selected surface treatment ensures effective corrosion resistance
- > The robust extrusions support higher torque couples
- > The vent eliminates any internal condensation (only for models from NDE2 C480, to NDE2 C600)
- > Highly resistant and ISO 10133 compliant electrical cables (only for models from NDE2 C480, to NDE2 C600)

↓ PERFORMANCE

Profurl furlers have a specially designed motor system which lets you manoeuvre the sails quickly, easily and repeatedly.

- > The torque / speed ratio is optimal, meaning you can unfurl and furl in all sailing conditions
- > Power consumption is a crucial feature on a motorised system; the Profurl systems require a low power supply, making special batteries unnecessary

↓ EASE OF INSTALLATION

- > Can be adjusted to suit your existing forestay
- > NDE2 / NDH2 furlers are available in a range of assembly configurations (stainless steel tube or link plates) meaning they can be adapted to suit the layout of your deck
- > The capacity of the turnbuckle cylinder is increased by 100 mm for the C520, C530, C600 (Ø 22mm forestay with turnbuckle).

↓ MODERN DESIGN

The new design means they can be used on all deck layouts and modern sail designs, having already been used on major sailing boats (Amel 50, CNB 66).

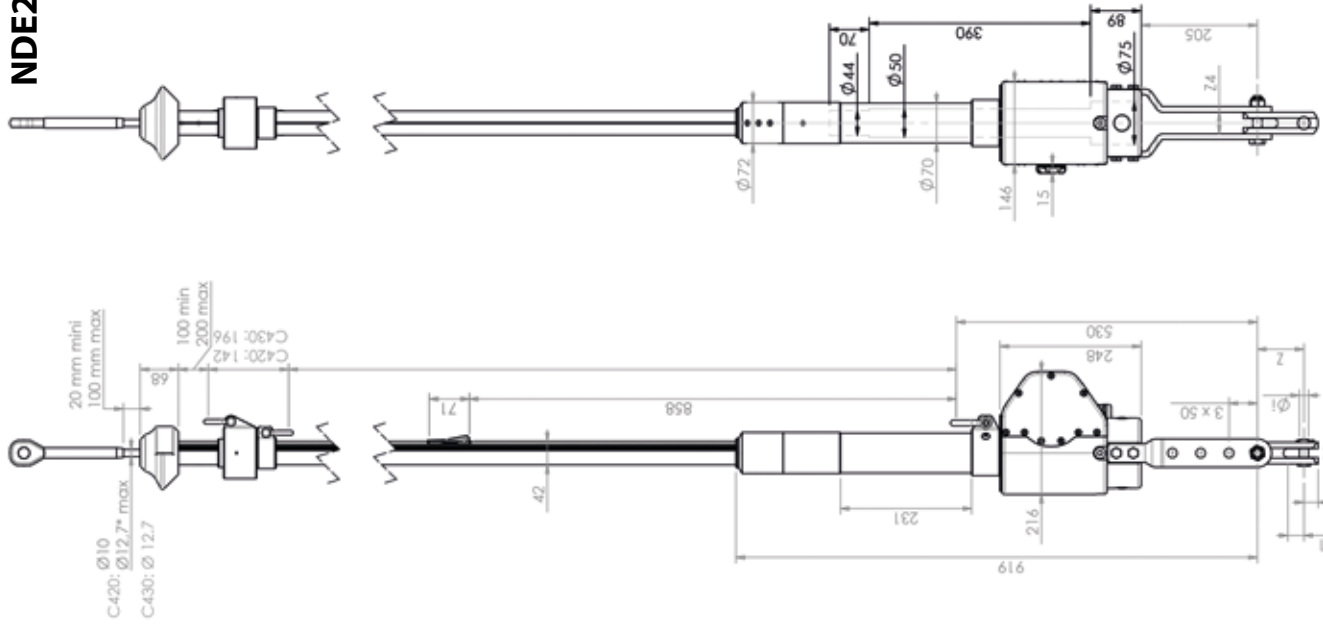
↓ SAFETY

In case of power supply failure, the PROFURL motorised system includes a handle socket (handle supplied) located at the rear of the housing, allowing for instant manual operation.

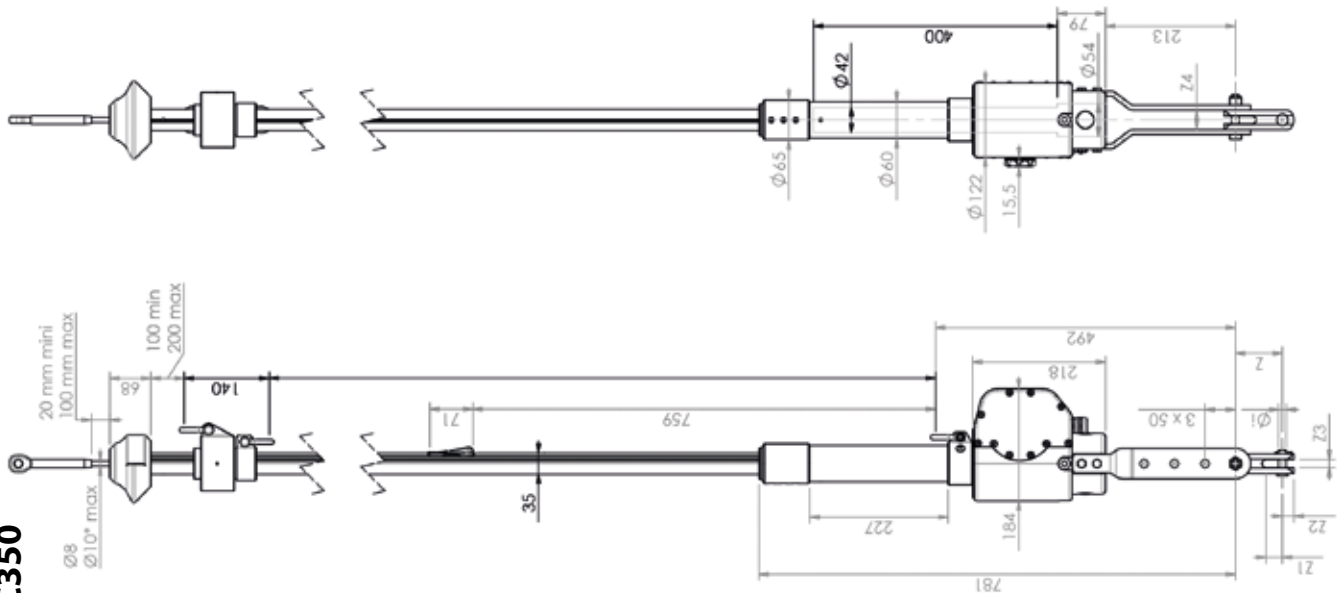
👍 MOTORIZATION KIT:

Capability to convert a Profurl manual furler into a motorized furler by keeping the extrusions. For other brands, contact us.

NDE2 C420 - C430

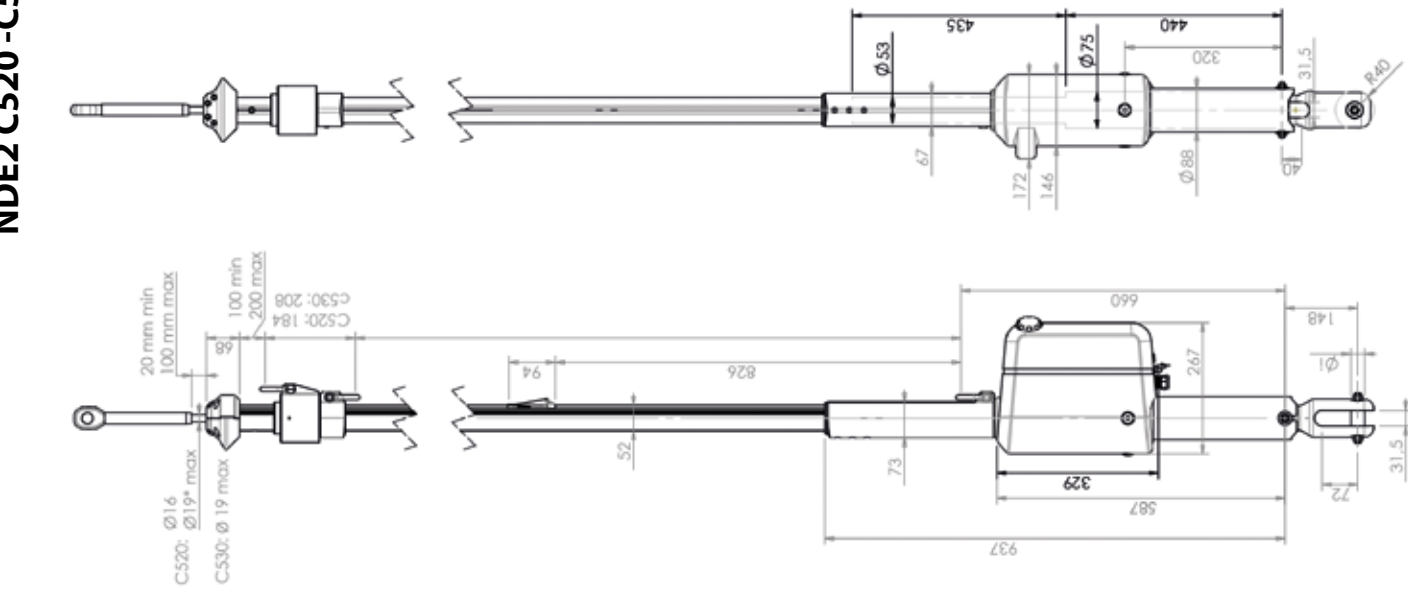


NDE2 C350



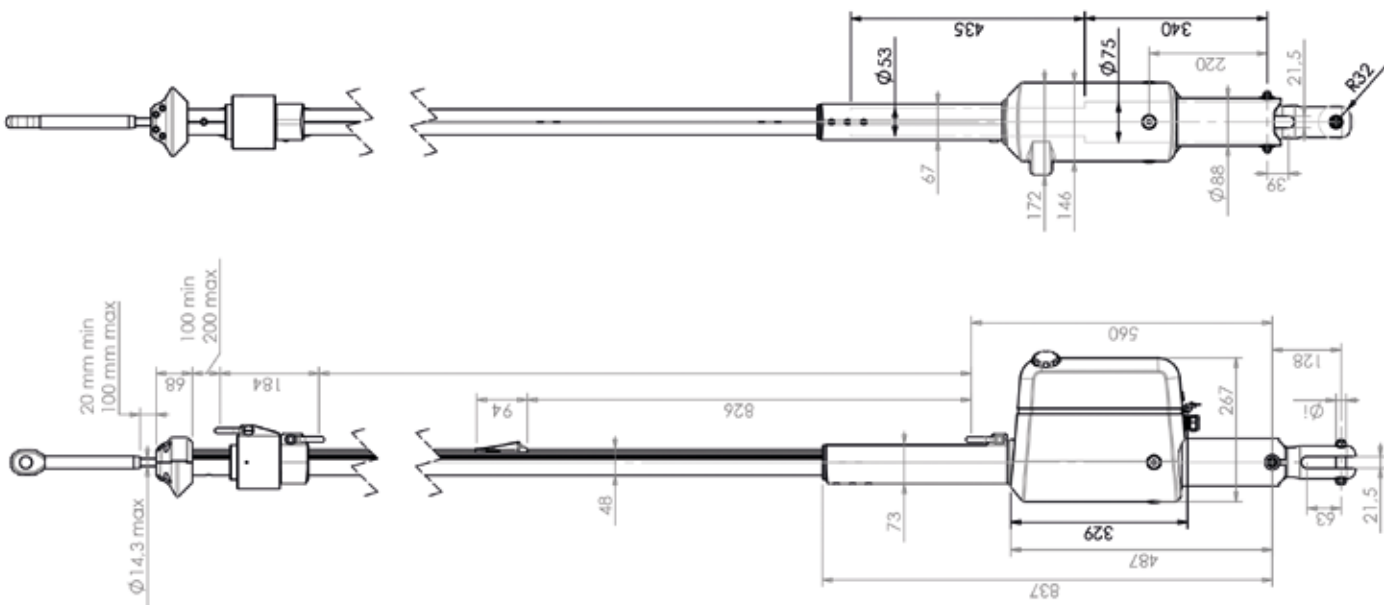
NDE2: Motorised furlers

NDE2 C520 - C530



ϕ : 22 / 25 / 28 / 32 mm

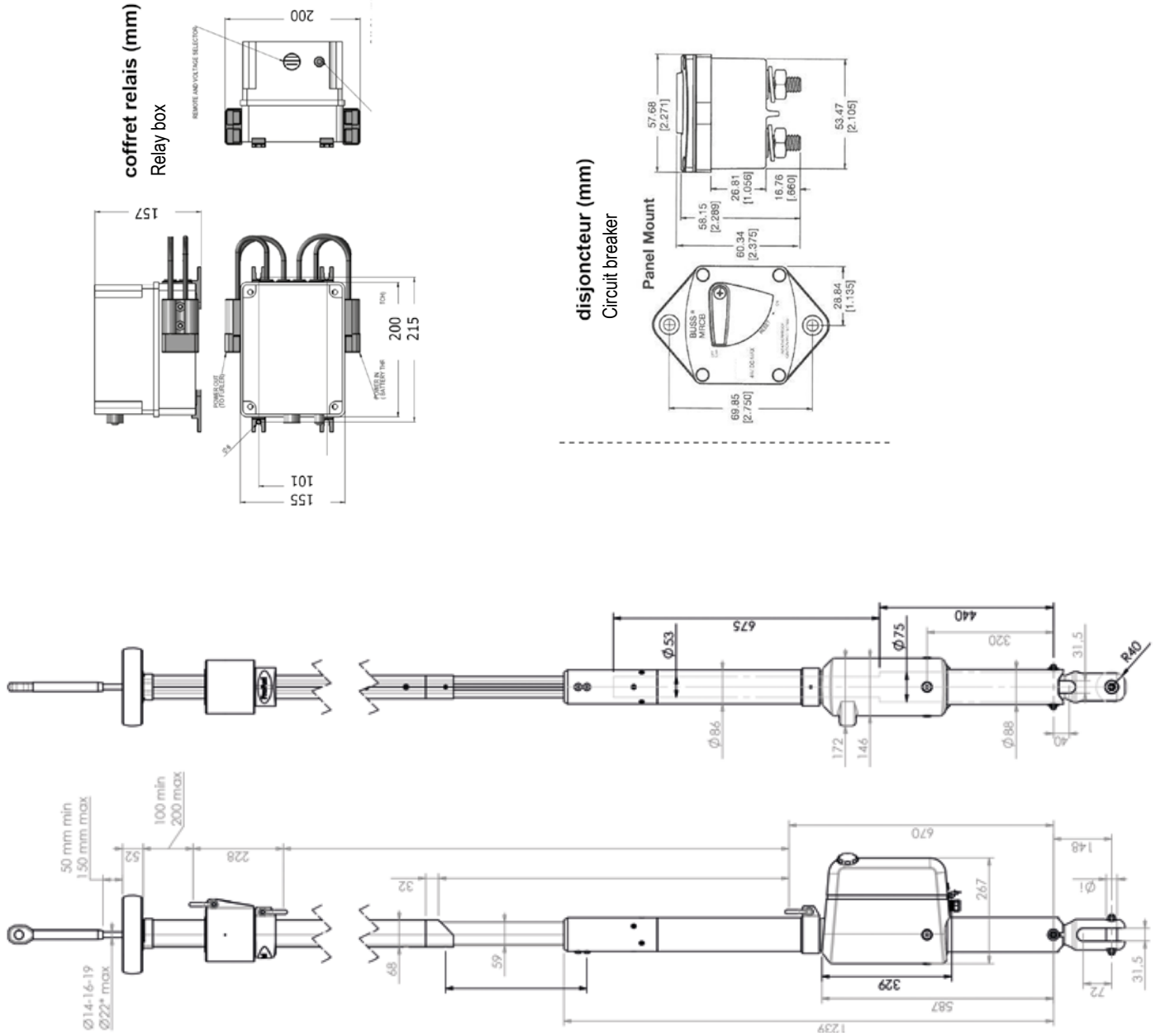
NDE2 C480



ϕ : 16 / 18 / 19 / 22 mm

NDE2: Motorised furlers

NDE2 C600



WICHARD S.A.S
1, ZI de Felet - CS 50085
63307 Thiers Cedex
France
Tel +33 (0)4 73 51 65 00
Fax +33 (0)4 73 80 62 81
E-mail : marine@wichard.com

Hotline / After Sales service
Z.A Pornichet Atlantique
16 av du Gulf Stream
44380 Pornichet - France
Tel +33 (0)2 51 76 00 35
Fax +33 (0)2 40 01 40 43
E-mail : hotline@wichard.com

WICHARD, Inc.
North America
3901 Pine Grove Circle
Charlotte, NC 28206
Tel: +1 (401) 683-5055
Fax: +1 (802) 655-4689
E-mail: info@wichard-usa.com

WICHARD Pacific Pty Ltd
PO Box 104 St Peters NSW 2044
Australia
Phone: +61 2 9516 0677
Fax: +61 2 9516 0688
E-mail: info@wichard.com.au