



# NEX<sup>e</sup>LITE 4.0

## Motorized Flying Sail Furler

### OPERATING FLYING SAILS SAFELY AND WITHOUT EFFORT

#### NEW benefits of the NEX<sup>e</sup>lite 4.0

- **Compact & light system**
- **Easy to install** with new socket
- **Reliable & proven** technology (NDE2)
- Installation on bowsprit & below the deck
- **Motorization kit:** to convert a manual furler
- **Protection** cover with handle & storage bag included

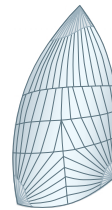
#### Why choose a motorized flying sail furler?

- **Easy operations** and **without effort**
- **Safety:** operations from the cockpit
- Ideal for solo or short-handed sailing
- **Fast furling operation** (around 45 sec)
- **Easy to install**
- No accidental release of the sail
- Low power consumption & minimal noise
- **Reliable:** Tested in all weather conditions
- No maintenance
- 2 year worldwide warranty.

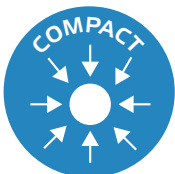


New NEX<sup>e</sup>LITE 4.0

#### Types of sails & max sail area



- **Gennaker**
- **Code 0**
- **Max 140 sqm**



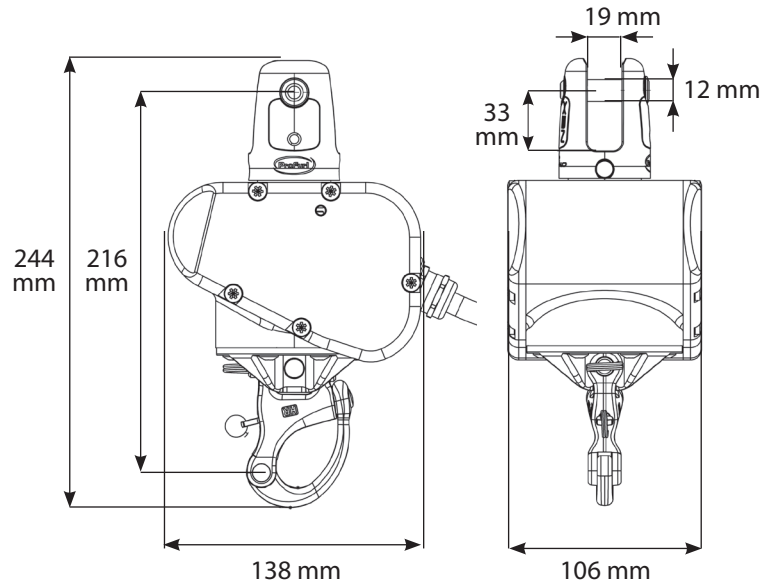


# NEX<sup>e</sup>LITE 4.0

## Motorized Flying Sail Furler

	NEX <sup>e</sup>
	NEX <sup>e</sup> LITE 4.0
<b>Boat length</b>	from 11.5 m to 16 m from 38 ft to 52'
<b>Gennaker max sail area</b>	140 m <sup>2</sup>
<b>Asymetrical spinnaker max sail area</b>	200 m <sup>2</sup>
<b>Pin diameter</b>	12 mm
<b>Power</b>	400 W
<b>Power supply</b>	12V (24V on request)
<b>Circuit breaker</b>	35A
<b>Optimal rotating speed</b>	85 rpm (12V)
<b>Power consumption</b>	20 - 25A / h
<b>Cable length</b>	7 m
<b>Motor unit weight</b>	5 Kg
<b>Power supply box</b>	incl.
<b>Worldwide warranty</b>	2 year

**New socket -**  
Easy installation on board.  
Optimized dimensions



### Accessories

Wired remote controller Part # 53320

Radio remote controller Part # 53310



**For sail area above 140 sqm, we recommend the model NEXE8.0.**

