



English



profurl.com



Roland Jourdain - We Explore - 2022 Route du Rhum

FURLING SYSTEMS





PRO AM
STRUCTURAL FURLERS

PRO AM STRUCTURAL FURLERS

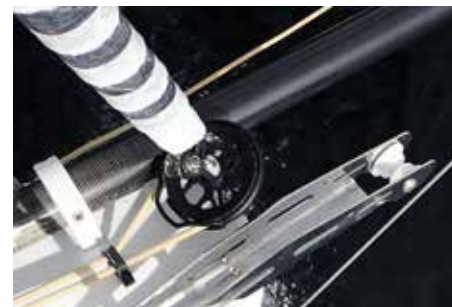
PRO AM STRUCTURAL FURLERS

With new spools and new swivels, the PRO AM range is getting bigger and better with the new range of NEX flying sail furlers housing mechanisms. PRO AM is a new generation of structural furlers for 5 to 9.5 metre boats designed for “all or nothing” sailing (with sails fully unfurled). The sail is hoisted and hauled thanks to a second swivel called a “halyard swivel”. PRO AM also allows you to strike the sail for wintering, maintenance or just for storage after use.

3 sizes available for 5, 6 and 7 mm diameter stays.

Why choosing PRO AM?

- > The ideal system for Day Boats and Sports Boats
- > Light and easy to handle
- > Sail can be hoisted and lowered
- > Possibility to remove easily the halyard swivel only.
- > Quick fitting and removal for trailer boats
- > Profurl system: maintenance-free components mounted in a sealed grease bath.
- > Three-year Profurl worldwide limited warranty.



What's the difference between PRO AM and a classic furler?

Structural

- > The stay fastens directly on the spool and the swivel, so PRO AM supports the mast.

All or nothing sailing

- > Because it is a structural element, PRO AM allows you to sail with the sail fully unfurled or fully furled. A classic furler with extrusions allows you to sail partially furled.

Efficient

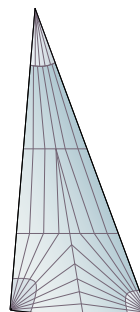
- > The PRO AM halyard swivel is fitted with ball bearings to ensure excellent rotation even under heavy loads.
- > PRO AM has light and compact components (spool and swivel) and textile fastening systems on the halyard swivel. With no extrusions to increase windage, the sail enjoys superior performance.

PRO AM applications

- > Day boats
- > Sports boats
- > One designs and class boats (J80, Surprise, Dragon...)

Sail types

- > Jib, solent mounted on snap hook or sleeve



PRO AM: how does it work?

- 1 Unlike a classic furler, the PRO AM has a halyard swivel (or tensioning swivel) which allows you to hoist and lower the sail.
- 2 Attachment of the halyard on the halyard swivel
- 3 The halyard clew of the sail is fastened to the Wichard soft shackle.
- 4 The head swivel allows the cable to rotate and thus furl the sail.
- 5 The tack of the sail is fastened to the Wichard shackle.
- 6 The stay (5, 6 or 7 mm single strand) is fastened to the drum and the swivel at the head
- 7 The stainless steel toggles are fitted to the boat's deck and mast.



Performance

S-GRIP: Better line grip

The special groove design, allowing for deformation of the line, ensures:

- better line grip, even when wet!
- easier furling
- minimum line wear



OPTIMAL FURLING: Furl without effort

The optimal spool diameter provides ideal torque, which:

- makes furling easier
- reduces effort



XTRA-LIGHT SYSTEMS: Lightness first

The size and weight of each component (spool, swivel, and terminals) have been optimised to:

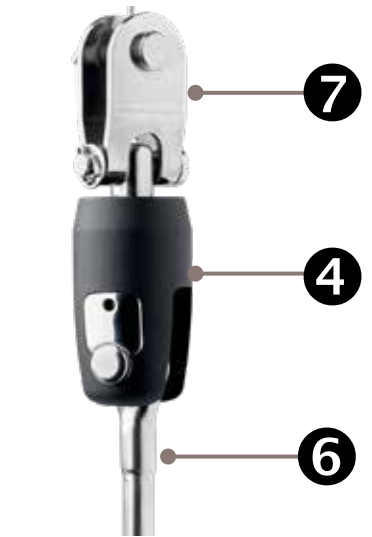
- improve sailing performance
- ensure easier handling of the systems



Safety

SAFE SYSTEM enables you to stop the running of the furling line during deployment of sail and thus:

- prevent accidents or damage caused by a free running line.
- manoeuvre more quickly and easily
- prevent excessive wear of the line



PRO AM

STRUCTURAL FURLERS

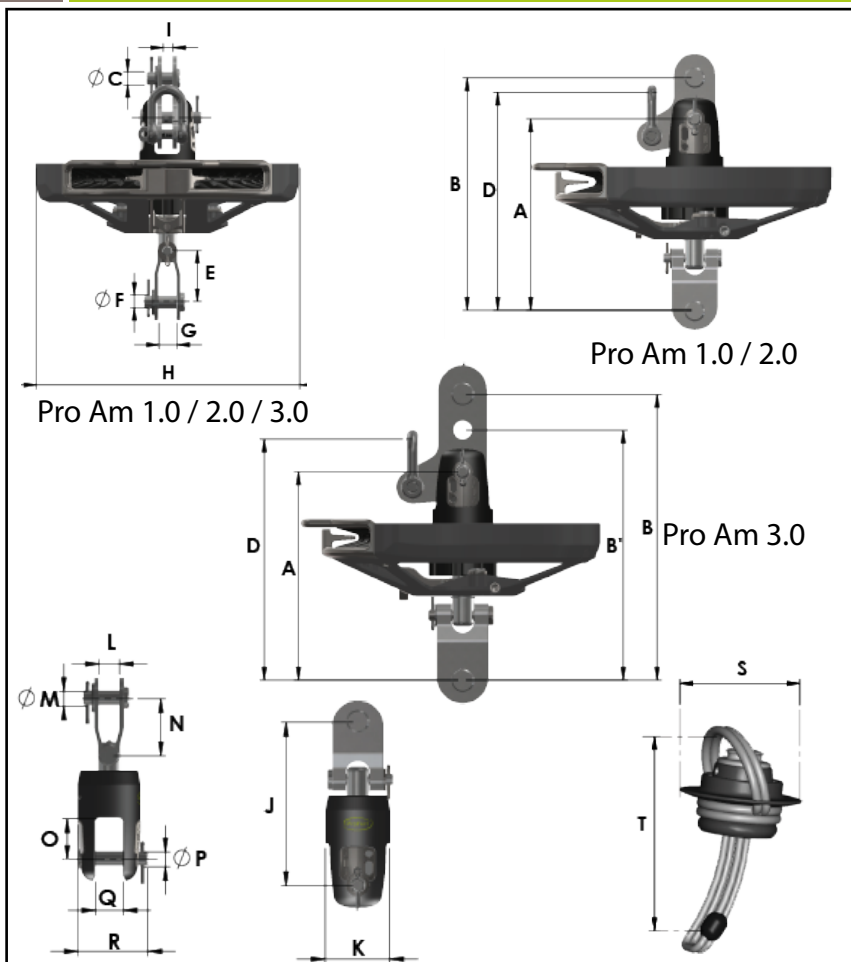
CHOOSE YOUR PRO AM FOR BOATS FROM 5 TO 12M:

	PRO AM 1.0	PRO AM 2.0	PRO AM 3.0
Boat length	from 5 to 7 m	from 7 to 9,5 m	from 9 to 12 m
Forestay diameter	5 mm	6 mm	7 mm
System working load*	1000 Kg	1500 Kg	2000 Kg
Halyard swivel working load	600 Kg	600 Kg	600 Kg
Spool diameter	150 mm	150 mm	150 mm
Pin toggle diameter	8 mm	10 mm	12 mm
Pin eye diameter	8 mm	10 mm	12 mm



*: The spool and swivel working loads take into consideration the stainless steel cable breaking loads used as a forestay.

Technical data: ProAm



Technical data: spool	PRO AM 1.0	PRO AM 2.0	PRO AM 3.0
A mm	112	136,5	142,5
B / B'	136	166,5	171,5 / 196,5
C mm	8	10	12
D mm	126	156,5	163,5
E mm	31	39,5	45,5
F mm	8	10	12
G mm	11	14	15
H mm	160	160	160
I mm	6	10	10
Ø spool : mm	150	150	150
Ø furling line mm	Ø8	Ø8	Ø8
Weight: spool (only) Kg	0,700	0,960	1,100

Swivel	PRO AM 1.0	PRO AM 2.0	PRO AM 3.0
J mm	87,2	107,8	113,8
K mm	34	42	42
L mm	11	14	15
Ø M mm	8	10	12
N mm	31	39,5	45,5
O mm	22	26	26
Ø P mm	8	10	12
Q mm	15	18	18
R mm	38	46,5	46,5
Swivel weight Kg	0,200	0,390	0,460
Halyard swivel			
L mm	70	70	70
M mm	129	129	129
Halyard swivel weight (only) Kg	0,150	0,150	0,150

PROFURL DISTRIBUTORS PER COUNTRY

Country	Name	Zip code	Town	Area code	Phone	E-mail
Australia	Wichard Pacific Pty Ltd	NSW 2044	St Peters	61	295 160 677	info@wichard.com.au
Azores	Boat & Sailservice	9500-771	Sao Miguel	351	963925707	boatsailservice@gmx.net
Azores	Mid Atlantic Yacht Services	9900-114	Horta	351	292 391 616	mays@mail.telepac.pt
Belgium	Elvstrom Sails Benelux	2000	Antwerpen	32	0 495707870	info@elvstromsails.be
Belgium	Plaisance Diffusion	1030	Bruxelles	32	0 2 216 79 34	info@plaisance.be
Belgium	Technique Voile	4432	Alleur	32	0 42 63 4041	info@technique-voile.be
Belgium	West Diep Yachting Center	8620	Nieuwpoort	32	0 58 23 40 61	info@westdiep.com
Belgium	Wittevrongel Sails BV	8370	Blankenberge	32	04 96 28 45 75	ian@wittevrongel.be
Belgium	Wittevrongel Rigging	8370	Blankenberge	32	04 96 28 45 76	steve@wittevrongel.be
Brazil	Rio Sail Tech	22290-240	Rio de Janeiro	55	254 202 33	contato@riosailtech.com.br
Canada	WPG Canada	JOB 3G0	Stoke (Québec)	1	819 878 30 18	info@wichard.ca
Canary islands	Nordest	38370	La Matanza Tenerife	34	922 577 322	nordest@nordest-canarias.com
Chile	Oceanic Chile		Santiago	562	244 20 20	contacto@oceanic.cl
China	Sunrise Marineware Ltd		Shenzhen	86	755 866 50 101	sales@sunrisemw.com
Croatia	Aspar Rigging	51211	Matulji	385	51 343 230	aspar-rigging@ri.t-com.hr
Croatia	Ramina Pomorstvo	21000	Split	385	2139 82 33	office@raminapomorstvo.hr
Denmark	PS Rigging	6200	Aabenraa	45	31 69 31 39	info@ps-rigging.com
Dutch Caribbean	Budget Marine St Martin		Philipsburg	1	5 995 443 134	stmaarten@budgetmarine.com
Dutch Caribbean	FKG Marine St Martin		Philipsburg	599	544 47 33	info@fkgmarine.com
Finland	Oy Maritim AB	210	Helsinki	358	10 27 40 320	maritim@maritim.fi
France	Wichard S.A.S	63300	Thiers	33	(0)4 73 51 65 00	marine@wichard.com
French Polynesia	Tahiti Sport / Nauti Sport	98713	Papeete	689	50 59 59	tahiti.sport@tahiti-sport.pf
Germany	Pfeiffer Marine Gmbh	78345	Moss am Bondesee	49	07732 9950 32	info@pfeiffer-marine.de
Greece	Nautilus	17455	Alimos / Athens	30	210 98 54 238	info@nautilus.gr
Greece	A.Andreou & Co	Tk 18346	Athens	30	210 48 28 452	info@aandreou.gr
Greece	Waypoint	31100	Lefkas	30	26450 21461	info@waypointsails.com
Grenada	Turbulence Ltd Grenada		Prickly bay	473	439 44 95	info@turbulenceld.com
Guadeloupe	Caraibe Greement Guadeloupe	97110	Pointe À Pitre	590	90 82 01	carabegreement@hotmail.com
Hong Kong	Storm Force Marine Ltd		Wanchai	852	28 660 114	sales@stormforcemarine.com
Hungaria	Fuke Yachts (Hullam 04)	8220	Balatonalmadi	36	884 328 97	info@fukeyacht.hu
Ireland	Masts & Rigging Ireland Ltd	A92 TP49	Duleek	353	41 988 0389	info@riggers.ie
Israel	Atlantis Marine	63453 25	Tel Aviv	972	(03) 522 7978	atlantis@inter.net.il
Italy	C-Marine S.r.l	19030	Bocca Di Magra - Sp	39	0187 67 08 28	info@cmarine.it
Japan	Cosmos Marine Ltd	556-0023	Osaka	81	665 672 397	cosmarin@pure.ne.jp
Japan	Marine Services Kojima	236-0003	Kanagawa	81	457 903 581	toiawase@mskojima.co.jp
Malta	Gauci Borda	GZR03	Gzira	356	2131 3758/3748	info@gauciborda.com
Martinique	Caraibe Marine	97290	Le Marin	596	74 80 33	cgmar@wanadoo.fr
Netherlands	Masterspars	1693 BN	Wervershoof	31	(0)610627948	sales@masterspars.com
New Caledonia	Marine Corail	98800	Nouméa	687	27 58 48	info@marine-corail.nc
New Caledonia	Pacific Accastillage	98845	Nouméa	687	78 78 46	pacificaccastillage@gmail.com
New Zealand	Kiwi Yachting	90114	Auckland	64	9 36 00 30 0	sales@kiwiyachting.co.nz
Norway	Southern Cross Spars AS	1363	Høvik	47	(0)95977482	info@southerncross.no
Poland	Majer Na Fali	01-971	Varsovie	48	533 655 095	office@majernafali.pl
Portugal	Lisnautica Lda	1300-340	Lisbon	351	21 36 39 084	lisnautica@gmail.com
Portugal	Just Boats Lda	8100-263	Loule	351	281 971 179	info@just-boats.net
Portugal	Blaus 3 Sailing Services	8100-068	Boliquime	351	916 267 103	info@blaus.pt
Réunion Island	La voilerie du port	97420	Le Port	33	(0)6 92 21 76 69	voilerieduport@hotmail.com
Russia	Fordewind-Regatta	197110	Saint Petersburg	7	8 123 201 853	info@fordewind.spb.ru
Saint Martin	Yacht Rigging St Martin	97150	Saint Martin	590	29 52 52	mustyachtrigging@domaccess.com
Singapore	Intermarine Supply	639078	Jurong	65	686 33 966	ropes@intermarine.com.sg
Slovenia	Skipper Portoroz	6320	Portoroz	386	5 67 770 11	skipper@siol.net
South Africa	Sparcraft Masts	7435	Cape Town	27	(0)21 555 3340	info@sparcraftmasts.co.za
Spain	YangBela Technic Sail S.L.	20280	Hondarribia	34	9 436 44 459	edouardo@yangbela.com
Sweden	Liros Skandinavia AB	42750	Billdal	46	3191 52 00	info@lirosropes.se
Switzerland	Megroz Voiles	1070	Puidoux	41	21 946 49 49	pm@fragniere-megroz.ch
Switzerland	MW Matelotage	1252	Meinier	41	79 203 41 11	denis.menetrey@mwmatelotage.ch
Taiwan	Storm Force Marine Ltd		Wanchai	852	28 660 114	sales@stormforcemarine.com
Thailand	Storm Force Marine Ltd		Wanchai	852	28 660 114	sales@stormforcemarine.com
Trinidad and Tobago	Budget Marine Trinidad Ltd		Chaguaramas	1	868-634-2006	trinidad@budgetmarine.com
Turkey	Prima Deniz	34728	Istanbul	90	216352240	kayayelken@superonline.com
United Kingdom	Proboat Ltd	CMO 8TE	Burnham-On-Crouch	44	1 621 78 54 55	sales@proboat.co.uk
Uruguay	Kraen Sa	70.000	Colonia	598	52-23814	kraen@adinet.com.uy
USA	Wichard, Inc.	NC 28206	Charlotte	1	4 016 835 055	usasales@wichard.com

They sail with Profurl !



Pogo 44



Outremer 5.X
We Explore - Roland Jourdain



Victoire Martinet
Mini 6.50



Bureau Vallée 3 - L Burton
Imoca 60

WICHARD S.A.S
1, ZI de Felet - CS 50085
63307 Thiers Cedex
France
Tel +33 (0)4 73 51 65 00
E-mail : marine@wichard.com

**Hotline / Technical Support /
After sales service**
Z.A Pornichet Atlantique
16 av du Gulf Stream
44380 Pornichet - France
Tel +33 (0)2 51 76 00 35
E-mail : hotline@wichard.com

WICHARD, Inc.
North America
3901 Pine Grove Circle
Charlotte, NC 28206
Tel: +1 (401) 683-5055
Fax: +1 (802) 655-4689
E-mail: usasales@wichard.com

WICHARD Pacific Pty Ltd
PO Box 104 St Peters
NSW 2044
Australia
Phone: +61 2 9516 0677
Fax: +61 2 9516 0688
E-mail: info@wichard.com.au