



RECOMMENDED RETAIL PRICE LIST 2024 From 1st of January of 2024 Index A



2024 NEW PRODUCTS



Motorized flying sail furler
NEX°Lite 6.5



Swivel locks for
NEX6.5 & NEX8.0



Swivel tack point



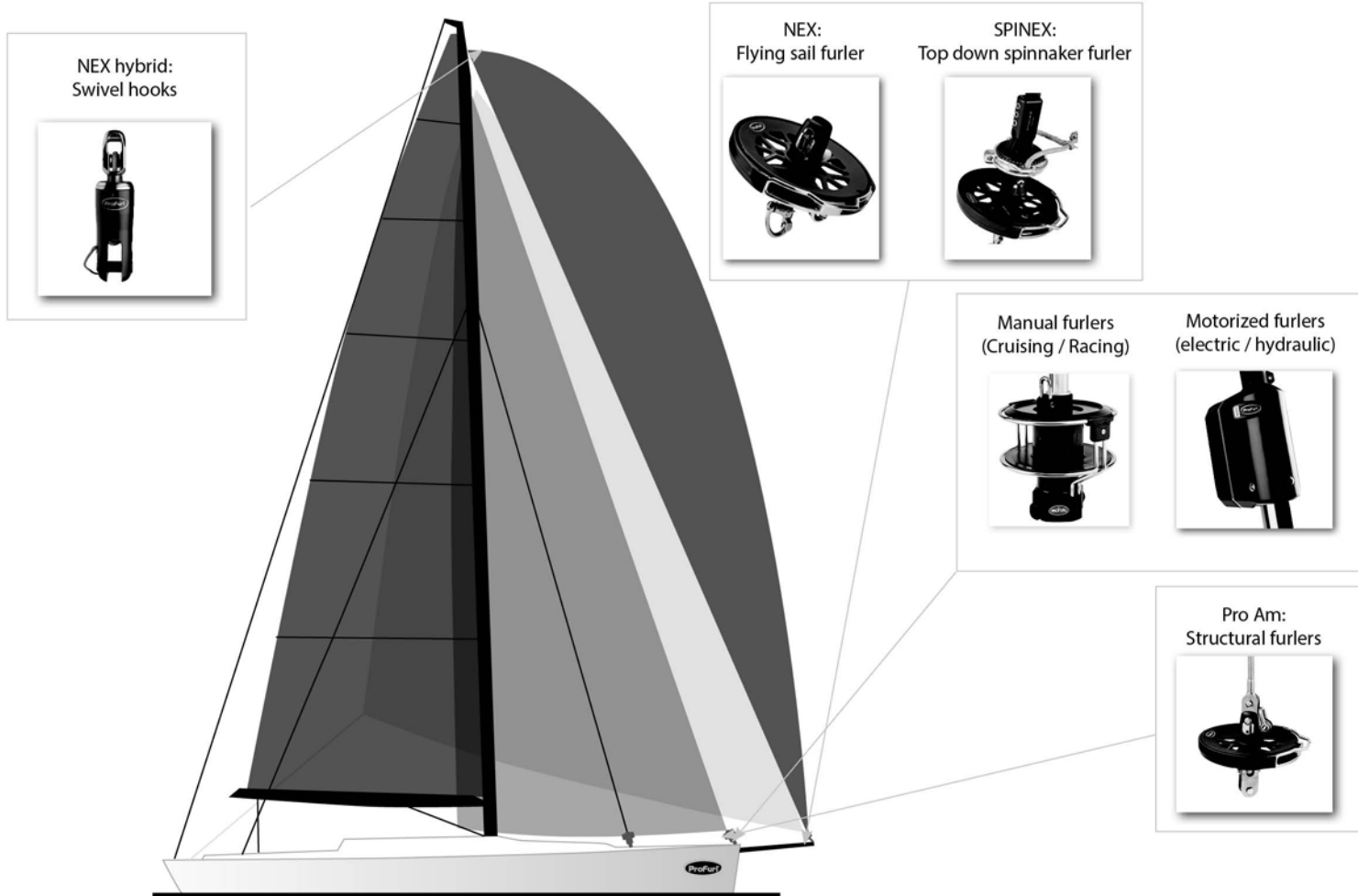
Clevis pin snap shackle
with fairlead feature

WICHARD SAS: MAIN OFFICE / ORDERS / SHIPMENTS

1, ZI de Felet CS 50085 - 63307 Thiers cedex - France
Tel: + 33 (0)473 516 500 - E-mail: marine@wichard.com

PROFURL PRODUCT OVERVIEW

CRUISING BOATS



	Structural system (acts as a forestay for the mast)	Sails which can be used with this system	Partial furling of the sail	Possibility to sail with a sail fully deployed	Possibility to drop the sails	Sailing programs
Manual reefing systems	No	<ul style="list-style-type: none"> • Genoa • Staysail • Solent jib 	Yes	Yes	Yes	<ul style="list-style-type: none"> • Cruising • Ocean racing • Long distance cruising
Structural furlers PRO AM	Yes	<ul style="list-style-type: none"> • Genoa • Solent jib 	No	Yes	Yes	<ul style="list-style-type: none"> • Regatta / one design • Day boat
Motorized reefing systems	No	<ul style="list-style-type: none"> • Genoa • Staysail • Solent jib 	Yes	Yes	Yes	<ul style="list-style-type: none"> • Cruising • Long distance cruising
Flying sail furlers NEX	No	<ul style="list-style-type: none"> • Gennaker • Code zero • Staysail • Solent jib • etc... 	No	Yes	Yes	<ul style="list-style-type: none"> • Ocean racing • Offshore racing • Regatta • Cruising • Long distance cruising
Top down furler SPINEX	No	<ul style="list-style-type: none"> • Asymmetric spinnaker 	No	Yes	Yes	<ul style="list-style-type: none"> • Cruising • Long distance cruising

MANUAL HEADSAIL REEFING-FURLING SYSTEMS

MANUAL HEADSAIL REEFING-FURLING SYSTEMS						
CRUISING MODELS						
Delivered in 2 m sections - round profiles - 10 YEAR WORLDWIDE WARRANTY						
MAXSTAY Ø (MM)	MODELS	LENGTH (m) Standard length in bold (other lengths)	PRICE ex.VAT €	OPTIONS		
				EXTRA EXTRUSIONS 2 M LENGTH PRICE ex.VAT €	MEDIUM or LONG LINK PLATES PRICE ex.VAT €	TURNBUCKLE CYLINDER PRICE ex.VAT €
5	C260	6,50	475.34			
		8,5 (maxi)	544.66			
6 / 7*	C290 ¹	8,00 (10m, 12m, 14m)	1189.28	120.25	125.44	
7 / 8*	C320 ¹	10,00 (12m, 14m, 16m)	1626.76	134.67	125.44	195.86
8 / 10*	C350 ¹	12,00 (14m, 16m, 18m)	1963.09	198.40	178.86	200.77
10 / 12.7*	C420 ¹	16,00 (18m, 20m)	3020.71	246.50	178.86	277.55
12,7	C430 ¹	18,00 (20m, 22m)	3443.75	246.50	178.86	277.55
14,3	C480	18,00 (20m, 22m)	4364.50	300.62	290.38	302.99
16 / 19*	C520	20,00 (22m, 24m)	7257.25	354.73	290.38	360.36
19	C530	22,00 (24m, 26m)	7611.98	354.73	290.38	360.36

*: installation with swageless eye - In that case, the sail area recommended must be respected as well as the drum capacity.
 Profurl systems may require the installation of a turnbuckle cylinder or long link plates.
¹Short link plates are delivered as standard. From C290 to C430 models and when fitting without link plates (closed to the deck). the use of SS locking devices is mandatory (see below). In case of fitting with adjustment plates. contact us.

ACCESSORIES			
SS locking device + pin	Part #	Price ex VAT €	Description
C290 & C320	Refer to pin diameter	154.91	Mandatory in case of a fitting without link plates (closed to the deck). Intended for multihulls, wooden masts or yachts for intensive use (charter...).
C350, C420, C430		182.94	
Opening pre feeder	Part #	Price ex VAT €	Description
C290 to C530	7485	90.92	Assists pre feeding the sail in the standard feeder.
Reefing kit	Part #	Price ex VAT €	Description
C260 & C320	P250901	129.91	20 m reefing line ø. 6 + 1 Wichard fairlead part # 21120 + 3 Wichard fairleads part # 20120
C290 to C430	P250902	178.77	25 m reefing line ø. 8 + 1 Wichard fairlead part # 21120 + 4 Wichard fairleads part # 20120
C350 to C480	P250903	196.03	25 m reefing line ø. 10 + 1 Wichard fairlead part # 21120 + 4 Wichard fairleads part # 20120
C430 to C530	P250904	234.60	30 m reefing line ø. 10 + 1 Wichard fairlead part # 21120 + 5 Wichard fairleads part # 20120

MANUAL HEADSAIL REEFING-FURLING SYSTEMS

MANUAL HEADSAIL REEFING-FURLING SYSTEMS						
RACING MODELS						
Delivered in 2 m sections - oval profiles - 10 YEAR WORLDWIDE WARRANTY						
MAXSTAY Ø (MM)	MODELS	LENGTH (m) Standard length in bold (other lengths)	PRICE ex.VAT €	OPTIONS		
				EXTRA EXTRUSIONS 2 M LENGTH PRICE ex.VAT €	MEDIUM or LONG LINK PLATES PRICE ex.VAT €	TURNBUCKLE CYLINDER PRICE ex.VAT €
6	R250 ¹	8,00 (10m, 12m)	1532.75	162.34	125.44	195.86
8	R350 ¹	12,00 (14m, 16m)	2614.92	264.54	125.44	195.86
10	R420 ¹	14,00 (16m, 18m)	3636.86	286.19	178.86	277.55
11.1	R430 ¹	16,00 (18m, 20m)	5055.60	286.19	178.86	277.55
12.7	R480	18,00 (20m, 22m)	6761.74	334.29	290.38	302.99
6	R25010J80	10.00	1779.67	-	R250 version J80: inc turnbuckle cylinder, SS locking device + pin	
	R250KITJ80	-	882.63	-	Complete R250 drum inc turnbuckle cylinder to fit with Harken extrusions	

Profurl systems may require the installation of a turnbuckle cylinder or long link plates. ¹ Short link plates are delivered as standard. From R250 to R430: when fitting without link plates (closed to the deck), the use of SS locking devices is mandatory (see below). In case of fitting with adjustment plates, contact us.

ACCESSORIES			
SS locking device + pin	Part #	Price ex VAT €	Description
R250 & R350	Refer to pin diameter	154.91	Mandatory in case of a fitting without link plates (closed to the deck). Intended for multihulls, wooden masts or yachts for intensive use (charter...).
R420 & R430		182.94	
Opening pre feeder	Part #	Price ex VAT €	Description
R250 to R480	7485	INCLUDED	Assists pre feeding the sail in the standard feeder.
Reefing kit	Part #	Price ex VAT €	Description
R250 & R350	P250901	129.91	20 m reefing line ø. 6 + 1 Wichard fairlead part # 21120 + 3 Wichard fairleads part # 20120
R350 to R430	P250902	178.77	25 m reefing line ø. 8 + 4 Wichard fairlead part # 21120 + 4 Wichard fairleads part # 20120
R350 to R480	P250903	196.03	25 m reefing line ø. 10 + 4 Wichard fairlead part # 21120 + 4 Wichard fairleads part # 20120
R420 to R430	P250904	234.60	30 m reefing line ø. 10 + 5 Wichard fairlead part # 21120 + 5 Wichard fairleads part # 20120

MANUAL HEADSAIL REEFING-FURLING SYSTEMS

MANUAL HEADSAIL REEFING-FURLING SYSTEMS						
BELOW THE DECK - CRUISING MODELS						
Delivered in 2 m sections - round profiles - 10 YEAR WORLDWIDE WARRANTY						
MAX STAY Ø (MM)	MODELS	LENGTH (m) Standard length in bold (other lengths)	PRICE ex.VAT €	EXTRA EXTRUSIONS 2 M LENGTH	MEDIUM or LONG LINK PLATES	TURNBUCKLE CYLINDER
				PRICE ex.VAT €	PRICE ex.VAT €	PRICE ex.VAT €
7	C320SP ¹	12,00 (14m,)	2174.89	134.67	129.83	INCLUDED
8	C350SP ¹	14,00 (16m, 18m)	2540.70	198.40	180.64	INCLUDED
10	C420SP ¹	16,00 (18m, 20m)	3494.33	246.50	180.64	INCLUDED
12,7	C430SP ¹	18,00 (20m, 22m)	4337.76	246.50	180.64	INCLUDED


Profurl systems may require the installation of long link plates.
¹: Short link plates are delivered as standard. For all models: when fitting without link plates, the use of SS locking devices is mandatory. In case of fitting with adjustment plates, please contact us.

MANUAL HEADSAIL REEFING-FURLING SYSTEMS						
BELOW THE DECK - RACING MODELS						
Delivered in 2 m sections - oval profiles - 10 YEAR WORLDWIDE WARRANTY						
MAX STAY Ø (MM)	MODELS	LENGTH (m) Standard length in bold (other lengths)	PRICE ex.VAT €	EXTRA EXTRUSIONS 2M LENGTH	MEDIUM or LONG LINK PLATES	TURNBUCKLE CYLINDER
				PRICE ex.VAT €	PRICE ex.VAT €	PRICE ex.VAT €
6	R250SP ¹	8,00 (10 m, 12 m)	2009.92	162.34	129.83	INCLUDED
8	R350SP ¹	12,00 (14 m, 16 m)	2982.62	264.54	129.83	INCLUDED
10	R420SP ¹	14,00 (16 m, 18 m)	4147.65	286.19	364.04	INCLUDED
11.1	R430SP ¹	16,00 (18 m, 20 m)	5655.21	286.19	364.04	INCLUDED

Profurl systems may require the installation of long link plates.
¹: Short link plates are delivered as standard. For all models: when fitting without link plates, the use of SS locking devices is mandatory. In case of fitting with adjustment plates, please contact us.

ACCESSORIES			
SS locking devices + pin	Part #	Price ex VAT €	Description
C320SP, R250SP, R350SP	Refer to pin diameter	160.33	Mandatory in case of a fitting without link plates. Intended for multihulls, wooden masts or yachts for intensive use (charter...)
C350SP, C420SP, C430SP, R420SP, R430SP		184.75	

STRUCTURAL FURLERS

PRO AM STRUCTURAL FURLERS					
Systems delivered with spool, swivel, halyard swivel, plates for tack point, lower & upper toggles with pin					
3 YEAR WORLDWIDE WARRANTY					
MODELS	Max stay ø (mm)	Max working load Kg*	Halyard swivel working loag Kg	PRICE ex.VAT €	
PRO AM 1.0 V2	5	1000 Kg	600 Kg	1427.85	
PRO AM 2.0 V2	6	1500 Kg	600 Kg	1556.64	
PRO AM 3.0 V2	7	2000 Kg	600 Kg	1780.62	

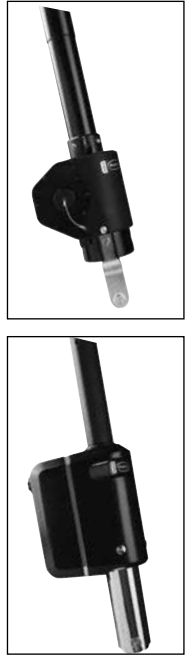
*: The spool and swivel working loads take into consideration the stainless steel cable breaking loads used as a forestay

MOTORIZED HEADSAIL FURLERS

NDE2: MOTORIZED FURLERS- ELECTRIC MODELS

Delivered in 2 m sections - round profiles

MODELS	Max stay ø (mm)	LENGTH (m)	PRICE ex.VAT €	Extra extrusions 2 m length
				ex.VAT €
NDE2 - MULTI-ENGINE TECHNOLOGY - 12 OR 24 V - 2 YEAR WORLDWIDE WARRANTY INCLUDED: TURNBUCKLE-CYLINDER, LINK PLATES, TOGGLE, CIRCUIT BREAKER, RELAY BOX				
NDE2 C350	8 / 10*	14	4661.39	198.40
NDE2 C420	10 / 12.7*	16	6567.10	246.50
NDE2 C430	12,7	18	6813.60	246.50
NDE2 - MONO-ENGINE TECHNOLOGY - 12 OR 24 V - 3 YEAR WORLDWIDE WARRANTY INCLUDED: TURNBUCKLE-CYLINDER, STAINLESS STEEL TUBE, TOGGLE, CIRCUIT BREAKER, RELAY BOX				
NDE2 C480	14.3	18	8690.07	300.62
NDE2 C520	16 / 19*	20	11986.14	355.14
NDE2 C530	19	22	12573.46	355.14
NDE2 C600	22*	24	16351.37	363.21



NDH2: MOTORIZED FURLERS - HYDRAULIC MODELS

Delivered in 2 m sections - round profiles - 3 YEAR WORLDWIDE WARRANTY

MODELS	Max stay ø (mm)	LENGTH (m)	PRICE ex.VAT €	Extra extrusions 2 m length
				ex.VAT €
NDH2 C480	14.3	18	16892.05	300.62
NDH2 C520	16 / 19*	20	17344.54	355.14
NDH2 C530	19	22	17699.68	355.14
NDH2 C600	22*	24	21047.15	363.21
NDH2 C700	22* / #76	28	29683.70	363.21

HYDRAULIC SYSTEMS:Contact us for delivery time

MOTORIZATION KITS FOR NDE2 ELECTRIC FURLER

INCLUDED:
GEAR MOTOR, RELAY BOX,
CIRCUIT BREAKER, TURNBUCKLE
CYLINDER, TOGGLE + LINK PLATES OR
STAINLESS STEEL TUBE

MODELS	Max stay ø (mm)	PRICE ex.VAT €
NDE2 C350	8 / 10*	4013.21
NDE2 C420	10 / 12.7	4464.47
NDE2 C430	12.7	4464.47
NDE2 C480	14.3	6024.15
NDE2 C520	16 / 19	7195.00
NDE2 C530	19	7195.00
NDE2 C600	22*	10333.15

MOTORIZATION KITS FOR NDH2 HYDRAULIC FURLER

INCLUDED:
GEAR MOTOR,
TURNBUCKLE CYLINDER, TOGGLE +
STAINLESS STEEL TUBE

MODELS	Max stay ø (mm)	PRICE ex.VAT €
NDH2 C480	14.3	15205.10
NDH2 C520	16 / 19*	15463.92
NDH2 C530	19	16512.08
NDH2 C600	22*	16512.08



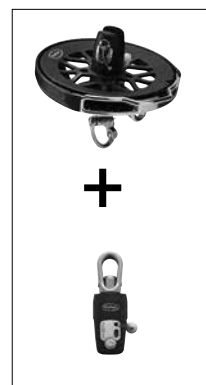
ACCESSORIES for MOTORIZED SYSTEMS

Description	Price ex. VAT €
Wired remote controller Part # 53320	128.55
Radio remote controller Part # 53310	464.12

*: installation with swageless eye - In that case, the sail area recommended must be respected.

FLYING SAIL FURLERS

NEX FLYING SAILS FURLER - WITH SPOOL STANDARD VERSION				
PRICE INCLUDES TERMINALS - 3 YEAR WORDLWIDE WARRANTY				
MODELS	Part #	Working load Kg	Description	Price ex VAT €
NEX0.9	NEX0.9V2	900 Kg	Spool + Wichard clevis pin snap shackle (part # 54100) + Swivel + eye part# 59096	746.13
NEX1.5	NEX1.5V2	1500 Kg	Spool + Wichard clevis pin snap shackle (part # 54100) + Swivel + Wichard shackle part# 11203	975.70
NEX2.5	NEX2.5V2	2500 Kg	Spool + Wichard clevis pin snap shackle (part # 54101) + Swivel + Wichard shackle part# 11204	1469.28
NEX4.0	NEX4.0V2	4000 Kg	Spool + Wichard clevis pin snap shackle (part # 54102) + Swivel + Wichard shackle part# 11205	2236.97
NEX6.5	NEX6.5V2	6500 Kg	Spool + Wichard Speedlink trigger snap shackle (part # 59206) + Swivel + Wichard shackle part # 11206	3572.43
NEX8.0	NEX8.0V2	8000 Kg	Spool + Swivel - W/O terminals to be defined	4703.52
NEX12.0	NEX12.0V2	12.000 Kg	Spool + Swivel - W/O terminals to be defined	10974.88



NEX FLYING SAILS FURLER - WITH SPOOL RATCHET «FURLASSIST» VERSION				
PRICE INCLUDES TERMINALS - 3 YEAR WORDLWIDE WARRANTY				
MODELS	Part #	Working load Kg	Description	Price ex VAT €
NEX0.9	<u>NEX0.9V2R</u>	900 Kg	Spool + RATCHET FURLASSIST (part # P590940) Wichard clevis pin snap shackle (part # 54100) + Swivel + eye part# 59096	849.44
	<u>NEX0.9V2RMF</u>		Spool + RATCHET FURLASSIST (part # P590940) + Wichard FAIRLEAD clevis pin snap shackle (part # 54106) + Swivel + eye part# 59096	
NEX1.5	<u>NEX1.5V2R</u>	1500 Kg	Spool + RATCHET FURLASSIST (part # P591540) + Wichard clevis pin snap shackle (part # 54100) + Swivel + Wichard shackle part# 11203	1079.01
	<u>NEX1.5V2RMF</u>		Spool + RATCHET FURLASSIST (part # P591540) + Wichard FAIRLEAD clevis pin snap shackle (part # 54106) + Swivel + Wichard shackle part# 11203	
NEX2.5	<u>NEX2.5V2R</u>	2500 Kg	Spool + RATCHET FURLASSIST (part # P592540) + Wichard clevis pin snap shackle (part # 54101) + Swivel + Wichard shackle part# 11204	1584.08
NEX2.5 SPEED	<u>NEX2.5V2R SPEED</u>	2500 Kg	Spool + RATCHET FURLASSIST (part # P592540) + Wichard clevis pin snap shackle (part # 54101) + Swivel + Wichard shackle part# 11204 - SPOOL DIAMETER: 150 mm	1584.08
NEX4.0	<u>NEX4.0V2R</u>	4000 Kg	Spool + RATCHET FURLASSIST (part # P594040)+ Wichard clevis pin snap shackle (part # 54102) + Swivel + Wichard shackle part# 11205	2351.77
NEX4.0 SPEED	<u>NEX4.0V2R SPEED</u>	4000 Kg	Spool + RATCHET FURLASSIST (part # P594040)+ Wichard clevis pin snap shackle (part # 54102) + Swivel + Wichard shackle part# 11205 - SPOOL DIAMETER: 180 mm	2351.77
NEX6.5	<u>NEX6.5V2R</u>	6500 Kg	Spool + RATCHET FURLASSIST (part # P596540) + Wichard Speedlink trigger snap shackle (part # 59206) + Swivel + Wichard shackle part # 11206	3744.62
NEX8.0	<u>NEX8.0V2R</u>	8000 Kg	Spool + Swivel + RATCHET FURLASSIST (part # P598040) W/O Terminals: to be defined	4983.50
NEX12.0	<u>NEX12.0V2R</u>	12.000 Kg	Spool + Swivel + RATCHET FURLASSIST (part # P591240) - W/O Terminals to be defined	11254.86



RATCHET FURLASSIST			
FOR MODELS	Part #	Description	Price ex VAT €
NEX0.9	<u>P590940</u>	NEW - RATCHET FEATURE - FURLASSIST <ul style="list-style-type: none"> • Better control of furling • Avoid accidental unfurling of the sail • Permanent engagement of the pawl • Operates in both directions • Easy installation (2 screws) 	144.29
NEX1.5	<u>P591541</u>		144.29
NEX2.5	<u>P592541</u>		156.33
NEX4.0	<u>P594041</u>		180.38
NEX6.5	<u>P596541</u>		216.45
NEX8.0	<u>P598040</u>		300.62
NEX12.0	<u>P591240</u>		324.67



Swivel locks range.
See page 12

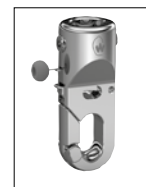
FLYING SAIL FURLERS

TERMINALS

FOR MODELS	Part #	Description	Price ex VAT €
Eye - Can be used as terminal on swivel or spool			
NEX0.9	P590945	Only for NEX0.9 spool - Max inner dia: 11 mm	34.88
NEX1.5	P591545	Option for NEX1.5 - Max inner dia: 13 mm	46.90
NEX2.5	P592545	Option for NEX2.5 - Max inner dia: 17 mm	58.92
NEX4.0	P594045	Option for NEX4.0 - Max inner dia: 22 mm	70.95
NEX6.5	P596545	Option for NEX6.5 - Max inner dia: 28 mm	82.97
NEX8.0	P598045	Option for NEX8.0 - Max inner dia: 32 mm*	144.29
NEX12.0	59248	Option for NEX12.0 - Max inner dia: 28 mm*	396.82
HALYARD BLOCK - Can be used as terminal on swivel or spool			
NEX2.5	P592530	Option for NEX2.5 - Rope max dia: 10 mm	348.72
NEX4.0	P594030	Option for NEX4.0 - Rope max dia: 12 mm	456.94
NEX6.5	P596530	Option for NEX 6.5 - Rope max dia: 14 mm	601.24
NEX8.0	P598030	Option for NEX 8.0 - Rope max dia : 18 mm	961.98
NEX12.0	P591230	Option for NEX 12.0 - Rope max dia: 22 mm	1743.59
MXEVO: HALYARD SHACKLE - Can be used as terminal on swivel or spool			
NEX0.9 & NEX1.5	11603	MXEVO dia 6 - Option - Rope max dia: 8 mm	55.32
NEX2.5	11604	MXEVO dia 8 - Option - Rope max dia: 10 mm	69.74
NEX4.0	11605	MXEVO dia 10 - Option - Rope max dia: 14 mm	103.42
SOLID SHEAVE: 2/1 or 3/1 purchase - Can be used as terminal on spool			
NEX1.5	55018	Option - for NEX1.5 - Max inner dia: 10 mm	64.05
NEX2.5	54555	Option - for NEX2.5 - Max inner dia: 12 mm	79.93
NEX4.0	54105	Option - for NEX4.0 - Max inner dia: 16 mm	122.42
NEX6.5	54554	Option - for NEX6.5 - Max inner dia: 18 mm	189.43
NEX8.0	P598050	Option - for NEX8.0 - Max inner dia: 23 mm	420.87
NEX12.0	P591250	Option - for NEX12.0 - Max inner dia: 25 mm	541.12
Trigger snap shackle - Can be used as lower terminal			
NEX6.5	59206	Trigger snap shackle - with trigger ball	330.69
NEX8.0	2957	Trigge snap shackle - Working load: 8T	879.32
CLEVIS PIN SNAP SHACKLE - FAIRLEAD FEATURE - NEW			
NEX0.9 & NEX1.5	54106	Clevis pin snap shackle with special fairlead	60.00
SOFT SNATCH BLOCKS			
NEX1.5	36010	Soft snatch block - Working load: 2T - max rope size: 10 mm	256.08
NEX2.5	36020	Soft snatch block - Working load: 3T - max rope size: 12 mm	326.54
NEX4.0	36030	Soft snatch block - Working load: 4.5T - max rope size: 16 mm	484.02
NEX6.5	36040	Soft snatch block - Working load: 7T - max rope size: 20 mm	718.14
-	36050	Soft snatch block - Working load: 9T - max rope size: 24 mm	1268.75
ACCESSORIES IN OPTION			
MODELS	Part #	Description	Price ex VAT €
PROTECTION COVER FOR NEX SPOOL			
NEX0.9	55160	Polyester protection cover - EVA foam - Reflective stripe - Closing by lacing	152.25
NEX1.5	55161		152.25
NEX2.5	55162		158.46
NEX4.0	55163		171.93
NEX6.5	55164		176.07
PROTECTION COVER FOR NEX SWIVEL			
NEX0.9	55170	Polyester protection cover - EVA foam - Reflective stripe - Closing by lacing	140.86
NEX1.5	55171		141.90
NEX2.5	55172		142.93
NEX4.0	55173		149.14
NEX6.5	55174		157.43



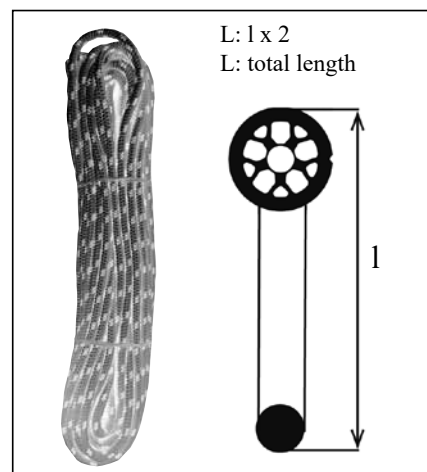
*: only on swivel



FLYING SAIL FURLERS

ACCESSORIES IN OPTION

FOR MODELS	Part #	Description	Price ex VAT €
SPliced FURLING LINE - POLYESTER BRAID: BEIGE			
NEX0.9 & NEX1.5	54122	Dia 8 mm - Length: 12 m	82.67
	54123	Dia 8 mm - Length: 14 m	89.86
	54124	Dia 8 mm - Length: 16 m	97.02
	54139	Dia 8 mm - Length: 18 m	104.21
	54137	Dia 8 mm - Length: 20 m	111.40
NEX2.5 NEX4.0 NEX6.5	54129	Dia 10 mm - Length: 14 m	104.28
	54125	Dia 10 mm - Length: 16 m	113.38
	54126	Dia 10 mm - Length: 18 m	122.50
	54127	Dia 10 mm - Length: 20 m	131.60
	54128	Dia 10 mm - Length: 22 m	140.70
	54131	Dia 10 mm - Length: 24 m	149.82
	54174	Dia 10 mm - Length: 26 m	158.92
	54186	Dia 10 mm - Length: 28 m	168.02
	54278	Dia 10 mm - Length: 30 m	177.13
54132	Dia 10 mm - Length: 32 m	186.23	
CLAMPS for ANTI-TORQUE CABLES			
<ul style="list-style-type: none"> • For gennaker and code: use mandatory Marlow ProDrive2 A/T cable • For asymmetric spinnaker: can be used with most of A/T cables on the market 			
NEX0.9	7321	Clamp - 9 mm dia cable	67.76
NEX1.5	7322	Clamp - 11 mm dia cable	85.04
NEX2.5	7323	Clamp - 13 mm dia cable	99.83
NEX4.0	7324	Clamp - 15 mm dia cable	129.79
ANTI-TORQUE CABLE CUT AT LENGTH - DYNEX - HAMPIDJAN			
Cable dia	Part #	Description	Unit price / m ex VAT €
Dia 9	56020	Dynex A/T cable - 9 mm dia	11.00
Dia 11	56021	Dynex A/T cable - 11 mm dia	15.11
Dia 13	56022	Dynex A/T cable - 13 mm dia	21.92
Dia 15	56023	Dynex A/T cable - 15 mm dia	31.22
ANTI-TORQUE CABLE CUT AT LENGTH - MARLOW PRODRIVE 2			
Cable dia	Part #	Description	Unit price / m ex VAT €
Dia 9	56120	Marlow ProDrive2 A/T cable - 9 mm dia	13.83
Dia 11	56121	Marlow ProDrive2 A/T cable - 11 mm dia	18.54
Dia 13	56122	Marlow ProDrive2 A/T cable - 13 mm dia	21.82
Dia 15	56123	Marlow ProDrive2 A/T cable - 15 mm dia	34.24



ACCESSORIES IN OPTION

FOR MODELS	Part #	Description	Price ex VAT €7.54
STAINLESS STEEL THIMBLES - Unit price			
NEX0.9	59164	Stainless steel thimble - for 9 mm cable	7.54
NEX1.5	59025	Stainless steel thimble - for 11mm cable	11.70
NEX2.5	59026	Stainless steel thimble - for 13 mm cable	15.14
NEX4.0	59027	Stainless steel thimble - for 15 mm cable	20.24
NEX6.5 & NEX8.0	59028	Stainless steel thimble - for 20 mm cable	35.34
ALUMINIUM THIMBLES - Unit price			
NEX1.5	59165	Aluminium thimble - for 11 mm cable	46.90
NEX2.5	59166	Aluminium thimble - for 13 mm cable	50.83
NEX4.0	59167	Aluminium thimble - for 15 mm cable	65.65
NEX6.5 & NEX8.0	59168	Aluminium thimble - for 19 mm cable	168.35
NEX12.0	59279	Aluminium thimble - for 21 mm cable	456.94
CABLELESS THIMBLES FOR SAILS WITHOUT ANTI-TORQUE CABLE - ALUMINIUM			
NEX2.5	59210	Top thimble - for NEX 2.5	285.95
	59211	Bottom thimble - for NEX 2.5	305.68
NEX4.0	59212	Top thimble - for NEX 4.0	364.83
	59213	Bottom thimble - for NEX 4.0	377.15
NEX6.5 & NEX8.0	59214	Top thimble - for NEX 6.5 & 8.0	507.80
	59215	Bottom thimble - for NEX 6.5 & NEX 8.0	532.45



OPTIONS: SWIVEL TACK POINT - Freetack

Part #	Description	Price ex VAT €
54629	Swivel tack point for NEX1.5	350.15
54579	Swivel tack point for NEX2.5	422.89
54633	Swivel tack point for NEX4.0	568.99
54634	Swivel tack point for NEX6.5 and NEX8.0	1309.50



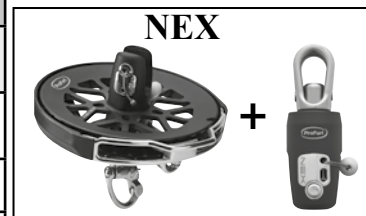
FLYING SAIL FURLERS FOR ASYMETRIC SPINNAKER

SPINEX TOP DOWN SPINNAKER FURLER - STANDARD VERSION

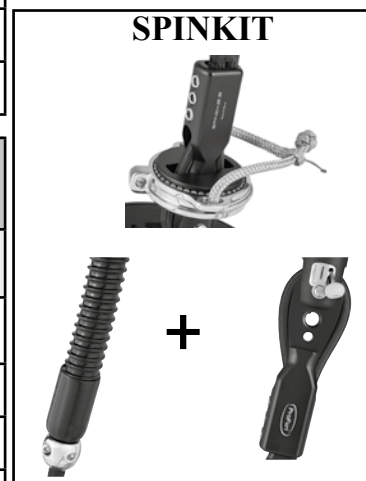
PRICE INCL: 1 spool, 1 swivel, top and bottom terminals, anti-torque cable with sleeves, cable end fittings, thimbles, free tack point- 3 YEAR WORDLWIDE WARRANTY

MODELS	Cable: Dia / Length	Part # NEX	Part # SPINKIT	Price ex VAT €
SPINEX 0.9	9 mm / 14 m	NEX0.9V2	SPIN0.9V2	1643.39
SPINEX 1.5	11 mm / 17 m	NEX1.5V2	SPIN1.5V2	1970.57
SPINEX 2.5	13 mm / 20 m	NEX2.5V2	SPIN2.5V2	2916.0
SPINEX 4.0	15 mm / 25 m	NEX4.0V2	SPIN4.0V2	3915.29
SPINEX 6.5	17 mm / 30 m	NEX6.5V2	SPIN6.5V2	5868.73
SPINEX 8.0	19 mm / 35 m	NEX8.0V2	SPIN8.0V2	7729.12

SPINEX =



+



SPINEX TOP DOWN SPINNAKER FURLER - RATCHET «FURLASSIST» VERSION

PRICE INCL: 1 spool, 1 ratchet «FURLASSIST» 1 swivel, top and bottom terminals, anti-torque cable with sleeves, cable end fittings, thimbles, free tack point- 3 YEAR WORDLWIDE WARRANTY

MODELS	Cable: Dia / Length	Part # NEX	Part # SPINKIT	Price ex VAT €
SPINEX 0.9	9 mm / 14 m	<u>NEX0.9V2R</u>	SPIN0.9V2	1746.70
SPINEX 1.5	11 mm / 17 m	<u>NEX1.5V2R</u>	SPIN1.5V2	2073.88
SPINEX 2.5	13 mm / 20 m	<u>NEX2.5V2R</u>	SPIN2.5V2	3030.80
SPINEX 4.0	15 mm / 25 m	<u>NEX4.0V2R</u>	SPIN4.0V2	4030.09
SPINEX 6.5	17 mm / 30 m	<u>NEX6.5V2R</u>	SPIN6.5V2	6040.91
SPINEX 8.0	19 mm / 35 m	<u>NEX8.0V2R</u>	SPIN8.0V2	8009.10

SPINKIT: TURN YOUR NEX IN SPINEX

PRICE INCL: anti-torque cable with sleeves, cable end fittings, free tack point
3 YEAR WORDLWIDE WARRANTY

MODELS	Cable: Dia / Length	Part # SPINKIT	Price ex VAT €
SPINEX0.9	9 mm / 14 m	SPIN0.9V2	897.26
SPINEX1.5	11 mm / 17 m	SPIN1.5V2	994.87
SPINEX2.5	13 mm / 20 m	SPIN2.5V2	1446.72
SPINEX4.0	15 mm / 25 m	SPIN4.0V2	1678.32
SPINEX6.5	17 mm / 30 m	SPIN6.5V2	2296.29
SPINEX8.0	19 mm / 35 m	SPIN8.0V2	3025.60



MOTORIZED FLYING SAIL FURLERS



MOTORIZED FLYING SAIL FURLERS NEX^e

PRICE INCL TERMINALS + POWER SUPPLY BOX- 2 or 3 YEAR WORDLWIDE WARRANTY

MODELS / PART #	Description	Price ex VAT €	Types of sail
NEX ^e lite 4.0 V12	4T motorized flying sails furler included: 12V or 24V gear motor + NEX4.0 swivel + power supply box - protection cover - storage bag Max sail area: 140m ² - 2 year warranty	4922.75	For light sails: gennaker, code 0
NEX ^e lite 4.0 V24			
NEX ^e lite 6.5 V12	NEW 6.5T motorized flying sails furler included: 12V or 24V gear motor + NEX6.5 swivel + power supply box - protection cover - storage bag Max sail area: 250m ² - 2 year warranty	6950.00	
NEX ^e lite 6.5 V24			
NEXE8.0 V12	8T motorized flying sails furler included: 12V gear motor + NEX8.0 swivel + power supply box 3 year warranty	9234.60	
NEXE8.0 V24	8T motorized flying sails furler included: 24V gear motor + NEX8.0 swivel + power supply box 3 year warranty		

NEW!



NEX^elite4.0 & 6.5



NEX^e8.0

NEX^e MOTORIZATION KITS

Convert a manual flying sail furler into a motorized one *

PRICE INCL TERMINALS + POWER SUPPLY BOX- 3 YEAR WORDLWIDE WARRANTY

MODELS	Part #	Description	Price ex VAT €	Types of sails
NEX ^e lite 4.0V12	P594050 + P274038	12V gear motor + power supply box + protection cover + storage bag - 2 year warranty	4227.48	For light sails: gennaker, code 0
NEX ^e lite 4.0V24		24V gear motor + power supply box + protection cover + storage bag - 2 year warranty		
NEX ^e lite 6.5V12	P596550 + P274037	12V gear motor + power supply box + protection cover + storage bag - 2 year warranty	5990.00	
NEX ^e lite 6.5V24		24V gear motor + power supply box + protection cover + storage bag - 2 year warranty		
NEXE 8.0 V12	P588015 + P274038	12V gear motor + power supply box 3 year warranty	7997.64	
NEXE 8.0 V24		24V gear motor + power supply box 3 year warranty		

OPTIONS: SWIVEL TACK POINTS

Part #	Description	Price ex VAT €	Types of sails
P585100	NEX ^e 4.0 swivel tack point (add to P585015)	681.34	For asymmetrical spinnakers
P588100	NEX ^e 8.0 swivel tack point (add to P588015 or to P588010)	1362.67	



ACCESSORIES for MOTORIZED SYSTEMS

Description	Price ex. VAT €
Wired remote controller Part # 53320	128.55
Radio remote controller Part # 53310	464.12

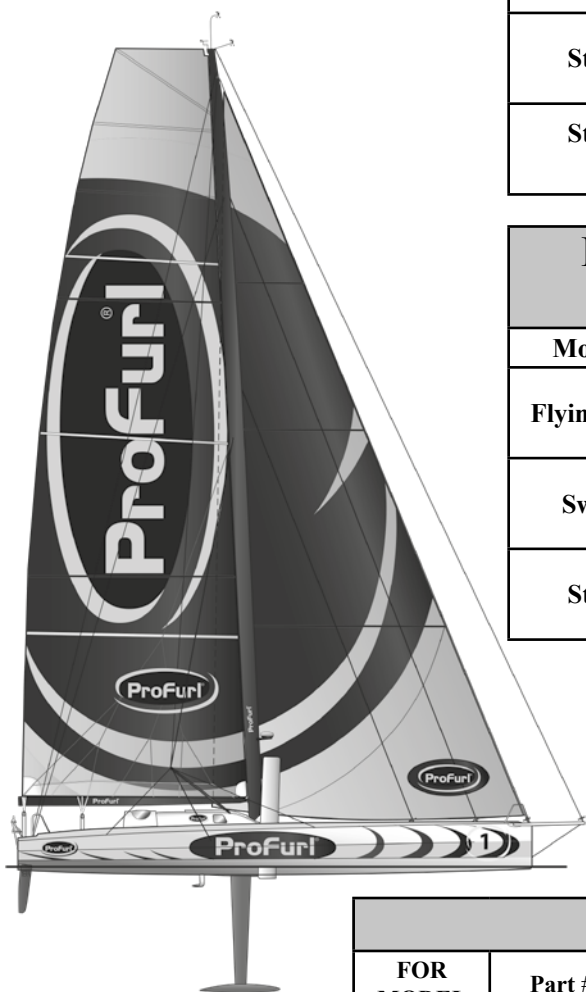


PROFURL PRODUCTS OFFER - IMOCA - See page 13

Model / Sails	J0	FRO	J15	J2	J3
Flying sail furler	NEX8.X				NEX8.X
Swivel lock	SWIVEL LOCK P598535			-	Swivel lock P598535
Stayfurler	na	na	na	NEXSTR10.X	na
Stayfurler swivel	na	na	na	P5690313	na

PROFURL PRODUCTS OFFER - CLASS 40 See pages 7 & 13

Model / Sails	J0	J1	J2	J3
Flying sail furler	NEX4.0 NEX4.0 SPEED	na	NEX4.0 NEX4.0 SPEED	
Swivel lock	P594035	na	P594035	
Stayfurler	na	NEXSTR5.0	na	na



SWIVEL LOCKS RANGE

FOR MODEL	Part #	Description	Price ex VAT €
NEX2.5	P592535	Swivel lock 2.5 - For 40 feet boats Working load: 2.5 T - Breaking load: 5.0T	2131.50
NEX4.0	P594035	Swivel lock 4.0 - for Class 40 Working load: 4.0T - Breaking load: 7.0T	4863.67
NEX6.5	P596834	Swivel lock 6.5 Working load: 6.5T - Breaking load: 13.0T	5750.00
NEX8.0	P598035	Swivel lock 8.0 Working load: 8.0T - Breaking load: 16.0T	5750.00
NEX12.0	P591235	Swivel lock 12.0 Working load: 12.0T - Breaking load: 24.0T	12500.00
NEX8.X	P596535	Swivel lock 6.X - For IMOCA & Ocean 50 Working load: 6.5 T - Breaking load: 12.0T	7900.00
NEX8.X	P598535	Swivel lock 8.X - For IMOCA & Ocean 50 Working load: 8.0T - Breaking load: 16.0T	7900.00



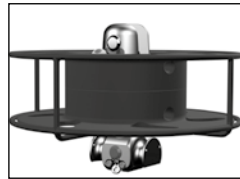
ACCESSORIES IN OPTION

MODELS	Part #	Description	Price ex VAT €
PROTECTION COVER FOR NEX SWIVEL LOCK			
Swivel Lock 2.5	55180	Polyester protection cover - EVA foam - Reflective stripe - Closing by lacing	142.93
Swivel Lock 4.0	55181		149.14
Swivel Lock 6.X	55182		157.43



FLYING SAIL FURLERS - RACING RANGE

FOR MODELS	Part #	Description	Price ex VAT €
NEX 8.X	P558316	Flying sail furler 8T - Spool - Solidsheave	Contact us
	P558318	Flying sail furler 8T - Drum - Solidsheave	
	P558312	Flying sail furler 8T - Spool - W/O terminals	
	P558317	Flying sail furler 8T - Spool - Purchase	
	P558319	Flying sail furler 8T - Drum - Purchase	
	P558380	Flying sail furler 8T - Spool - Top down version - Solidsheave	
	P558360	Terminal NEX8.X Spiplug - Spinnaker tack point connector	



TACKPLATES RANGE

Flying sail furlers model / compatibility	Part #	Description	Price ex VAT €
Thimbles for flying sail furlers			
NEX4.0/ FX+4500 / KFR4.5	P59435	Fork version	550.00
NEX8.X / KF8 titane / STK7T	P59430	Lashing version	577.13
KF8 / KFR8	P59434		
NEX8.X / KF8 titane / STK7T	P59431	Fork version	946.59
KF8 / KFR8	P59433		
FX 7000	P59432		



STAYFURLERS - RACING RANGE

FOR MODELS	Part #	Description	Price ex VAT €
NEXSTR5.0	NEXSTR5.0-CDLL	5T stayfurler: Drum - Lashing eye / Swivel - Lashing eye	4904.48
	NEXSTR5.0-CDEL	5T stayfurler: Drum - Eye / Swivel - Lashing eye	4604.04
	NEXSTR5.0-CDPL	5T stayfurler: Drum - Purchase / Swivel - Lashing eye	5018.16
NEXSTR5.0- POWER- TACK	P5650731	Stayfurler 5T POWERTACK - Cunnighman trimmig -Drum - Terminal: lashing eye (59492)	4500.00
	P5650737	Stayfurler 5T POWERTACK - Cunnighman trimmig -Drum - Terminal: Eye (59493)	4500.00
	P5645333	Swivel NEXSTR 5.0 - Terminals to be defined	1100.00
NEXSTR10.X	P5690213	10T stayfurler - Drum - Terminals to be defined	Contact us
	P5690713	10T POWERTACK stayfurler - Drum - Purchase	
	P5690615	10T TACK+ stayfurler - Drum - Purchase	
	P5690313	10T stayfurler - Swivel - Terminals to be defined	



NEXSTR5.0 Powertack
NEXSTR10.X Powertack



NEXSTR10.X Tack+



NEXSTR 10.X terminals available

Purchase



Lashing eye



Double-jaw toggle



SMART TOGGLE BY CYCLOPS MARINE

FOR MODEL	Part #	Description	Price ex VAT €
NEX4.0	55120	Smart toggle for NEX 4.0	2224.59



Specific Sales Terms for Profurl products prevailing over our General Sales Terms Sales to professionals only

1. General clause

Placing an order implies the buyer's full and unreserved acceptance of WICHARD S.A.S. General Sales Terms. The Specific Sales Terms prevail for the articles ordered from this price list.

2. Deliveries

In Metropolitan France:

For each orders « an order processing package including shipping costs of €30 net excluding tax will be invoiced ».

Export:

Minimum order amount 300 € net ex-VAT (excluding services, marking, painting fees...).

Standard delivery conditions: EX-Works. Other: upon request.

If no delivery date is specifically requested, orders may be processed and shipped within 5 working days. This delivery time can be extended in case of high workload.

For any urgent order, ask for a priority order processing. This service will be fully charged.

Metropolitan France: fee for express treatment: 35 € ex-VAT (delivery on Saturday: 40 € ex-VAT).

Export: upon quotation.

CAUTION: please send us express orders before 12:00 AM for a dispatch on the same day, orders received after this time will be shipped on the next day

3. Receipt of goods — Apparent damage

a. On receipt of the shipment and in case of suspected damage, reserves must be made directly to the transporter on the transport bill and by registered letter within 48h after receipt of the goods.

b. Regardless of the dispositions taken with the transporter, any claim on apparent damage or on non-conformity of the products must be set out in writing within 8 days after receipt of the goods. The Buyer is responsible for supplying any evidence as to the defects or damage. He should facilitate the Company's access to the product to acknowledge the damage and to find a solution.

4. Latent defect guarantee — Scope

Products are guaranteed against manufacturing defects. The guarantee is strictly limited to the repair or replacement of the defective parts, excluding any compensation for any loss. The product shall be returned to us carriage paid. In addition, the Buyer could claim for the guarantee only if he advises the Company by registered letter with acknowledgment of receipt within 30 days from becoming aware of the defect. The guarantee periods of the different products are available in our general catalogues. The guarantee shall not apply to visible defects, which the Buyer shall claim for in pursuance of § 4.

The Buyer shall refrain from making any declaration or giving any guarantee regarding the characteristics and quality of the products, other than those formally specified in the technical documentation provided by WICHARD.

5. Payment conditions

The first delivery to a new customer is made under proforma invoice in advance payment. Except specific agreement, payment shall be paid off at 30 days from the invoice date. Any late payment will automatically result in the suspension of further deliveries until payment has been settled.

GENERAL SALES TERMS

The present general terms (the «General Terms») are binding on the co-contracting party. The General Sales Terms take precedence over the general purchase terms of the buyer (the «Buyer» or the «Client»).

It is hereby specified that these General Terms may, on the initiative of the seller (the «Company») alone, be deviated from, amended or completed by specific terms pertaining to all or part of the Company's business. This is especially the case for the Company's ship outfitting business, for which Clients should refer to the specific terms stated in the Company's price schedule.

1 — ORDERS

Orders that are sent directly to the Company by Clients or that are taken by the Company's representatives or employees shall not be final until they are approved in writing and signed by the Company's Management. Individuals holding the following positions are included in the company's management senior management, sales management, and head of sales and distribution appointed by the sales management.

Failing written approval signed by the management within an option period of one month, the Company shall not be bound by its proposal.

In addition, any amendment to, or cancellation of an order by the Client shall entitle the Company to compensation, resulting in particular in the retention of any partial payment that may have been made upon ordering.

Furthermore, any total or partial order cancellation and/or reduction of the originally stipulated output rates shall entitle the Company to full compensation for the prejudice incurred. The Company is authorized in particular,

(i) to change the tooling costs and part prices contribution, and

(ii) to bill the Client for (a) raw materials for which the Company does not have any immediate use, (b) work in progress, and (c) incurred administrative costs, the whole multiplied by a coefficient of 1.2.

2 — PRICE

Catalog products are sold at the price in effect when they are shipped. For these products only, prices include packaging.

For other products, prices are provided as estimates, excluding taxes, ex works, for parts made available to the Client in the Company's workshops, without packaging. Prices correspond to the economic, fiscal and social conditions known on the date of the proposal and are binding to the Company only to the extent of the specifications included in its proposal.

In the event of an increase in the price of raw materials, products or salaries, all quoted prices shall be revised according to the following formula:

$P = P_o [12.5\% + 87.5\% (aM/Mo + bS/So + cEBI/EBIo + dTCH / TCHo)]$ where a, b, c and d represent the respective weights of the price components for the product in question.

The minimum invoice amount is 300 € excluding taxes.

3 — TOOLING AND MANUFACTURING DEVELOPMENT

Any first order for stamped, non-catalog parts shall include, in addition to the parts' unit price, a CONTRIBUTION TO TOOLING FABRICATION STUDY COSTS AND TO MANUFACTURING DEVELOPMENT.

Tooling designed by the Company, adapted to the Company's methods and equipment, shall remain in the Company's workshops. The Client's contribution to tooling costs does not give the Client the right to use said tooling in the Company's workshops. The Company has the right to dispose of the tooling without prior notice if no new order large enough to justify the assembly of said tooling is placed for over TWO YEARS from the time of the original order.

In the event the original contribution and the amount of orders placed at the end of the two-year period do not fully cover the price of the tooling, the Company may invoice the balance increased by storage and maintenance costs.

4 — STANDARDS

Unless otherwise specified, the following standards apply to both price estimates and orders:

- NFEN 10243-1 / 10243-2 Dimensional tolerances

- NFEN 10254 Quality tolerances

5 — PRODUCT GUARANTEE

For catalog parts, the Company's liability is limited to manufacturing parts compliant with the terms of the contract entered into with the Buyer. For non-catalog parts, the Company's liability does not extend to designing parts. Any advice provided by the Company regarding the shape and features of the parts is given for informational purposes only and cannot be used as a basis for seeking the Company's liability. The Client shall be responsible for the consequences of the industrial application.

In any case, the guarantee is strictly limited to the products supplied, performed in accordance with the contract and delivered after a simple visual inspection, unless a special inspection has been expressly provided for and agreed to by Management. The Company's liability, in any case, is limited to the reimbursement of the amount of the invoice for the disputed goods. In the event of a visible defect in the delivered products, duly acknowledged by the Company, the Client is entitled to free replacement of the product or reimbursement for the defective product as agreed by Management, excluding any compensation or damages.

Complaints pertaining to visible defects shall be deemed null and void unless made in writing and sent by certified mail with delivery confirmation within 8 days of receipt of the goods by the Client. The complaint must be accurate and list all defects.

6 — INDUSTRIAL PROPERTY

For non-catalog products, the Client placing the order alone shall be liable and shall hold the Company harmless against any lawsuit that may be filed related to patents or registered designs covering the manufactured parts, about which the Client placing the order failed to inform the Company when placing the order.

For catalog products, the Client acknowledges that it does not have any rights to the industrial or intellectual property elements pertaining thereto. The Client shall therefore refrain from any use, reproduction and generally any operation of said elements for commercial purposes. Furthermore, the Client shall not purchase from other suppliers products that the Client is fairly certain are forgeries, or, more generally, in violation of the Company's industrial property rights. Failing which, the Company may request the complete and retroactive termination of the contract, in accordance with the law with no legal recourse, 48 hours after non-response to formal notice sent by the Company by certified mail with delivery confirmation, without prejudice to any other legal action.

7 — DELIVERY TIME

The Company's contractual or tort liability cannot be sought for any delivery time commitment in the following cases:

- when the Buyer fails to comply with the payment terms;
- when information to be provided by the Buyer is not provided in a timely manner;
- in the event of a force majeure or an event legally considered to be a force majeure, or according to the contract, i.e.: lock-out, strikes, epidemics, war, requisitions, fire, flood, impossibility

to supply in normal time frames, tooling accidents, any tooling modification by the manufacturer, or any other cause with the effect of impeding the supply and manufacture thereof.

The Company shall inform the Client, in due time, of the above mentioned situations and events that entail suspension of contact.

Late deliveries shall result in compensation or damages only in the case that such terms are specified in the order and formally agreed by Management.

8 — SHIPPING—PACKAGING

Regardless of the equipment's destination and the terms of sale, delivery is deemed to be made in the Company's workshops: risks pertaining to items sold shall be transferred to the Buyer

as of the shipping of the manufactured goods or the making available thereof.

The risk transfer principle in the Company's workshops shall not be deviated from on account of indications such as: free delivery to station, from special spur to dock, to home; in such operations the Company intends to act on behalf of its Clients, without any liability transfer.

Quantities acknowledged by the carrier on departure of goods shall be evidence in the event of missing products on arrival. In addition, in pursuance of Article L.133-3 of the French

Commercial Code, possible exceptions must be confirmed to the CARRIER by certified mail with delivery confirmation within 2 days from the receipt thereof, and a copy sent to

Management.

Packaging materials may, if need be, be returned at an agreed price, provided they are returned carriage paid and in good condition, within the month following shipping to the Client

9 — PAYMENT

Payment shall be made net at 30 days from invoice date, in THIERS, unless otherwise expressly specified.

In the event of a late payment, or failure to pay in full or in part on the due date, the Company reserves the right to suspend all current orders, without prejudice to any legal action. In accordance with the law, all late payments shall incur late penalties. Said penalties shall be equal to three times the legal interest rate. Said interest shall run from the due date

until the date the price is effectively paid, after prior formal notice. Together with those penalties, a compensation for recovery costs will be added according to the scale in force.

10 — EVENT OF DEFAULT

Failure to pay on any one of the scheduled due dates shall, in accordance with the law, be an event of default of the agreed payment date.

As a result, any outstanding amount owed to the Company, whatever the reason, shall be immediately and automatically payable without any formal notice. In addition, in the event of failure to pay on any one of the scheduled due dates, the Company may request the complete and retroactive termination of the contract without any legal proceedings, 48 hours after non-response to formal notice sent by the Company by certified mail with delivery confirmation. In such case, the goods shall be returned at the expense and risk of the defaulting Client. The Company shall also be entitled to claim compensation for the damages resulting from the failure to pay.

11 — RESERVATION OF TITLE

Goods are sold under reservation of title. Transfer of title is therefore subject to the Buyer paying the price in full on the agreed upon due date. However, the risks shall be transferred to the

Buyer under the conditions set forth in Article 8 herein. Should the Buyer fail to pay on the due date, the Company shall repossess the goods of which it remained the owner and may, at its

discretion, terminate the contract by certified mail with delivery confirmation sent to the Buyer.

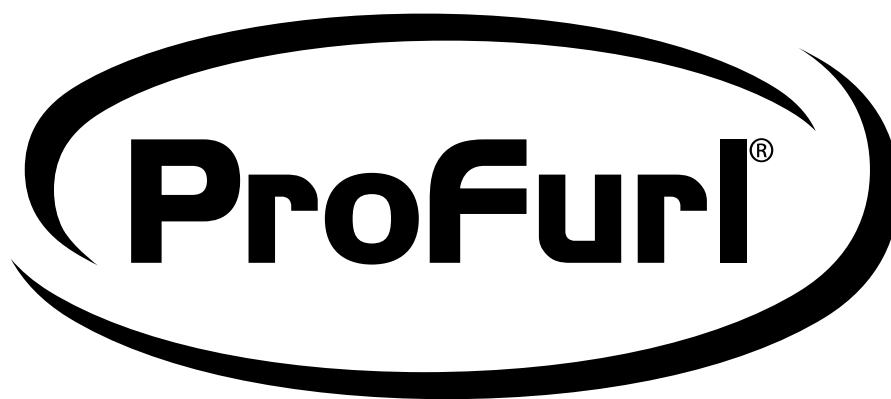
Moreover, draft remittances do not constitute full payment of the delivered goods.

12 — JURISDICTION CLAUSE

The CLERMONT-FERRAND Commercial Court shall be the only court of competent jurisdiction to settle any sales-related disputes, even if multiple defendants are involved.

13 — APPLICABLE LAW

The General Terms are subject to French law.



AFTER-SALES & HOTLINE

Wichard & Profurl
ZA Pornichet Atlantique - 16 av du Gulf Stream
44380 Pornichet - France
Tel: +33 (0)251 760 035
Fax: +33 (0)240 014 043
E-mail: hotline@wichard.com